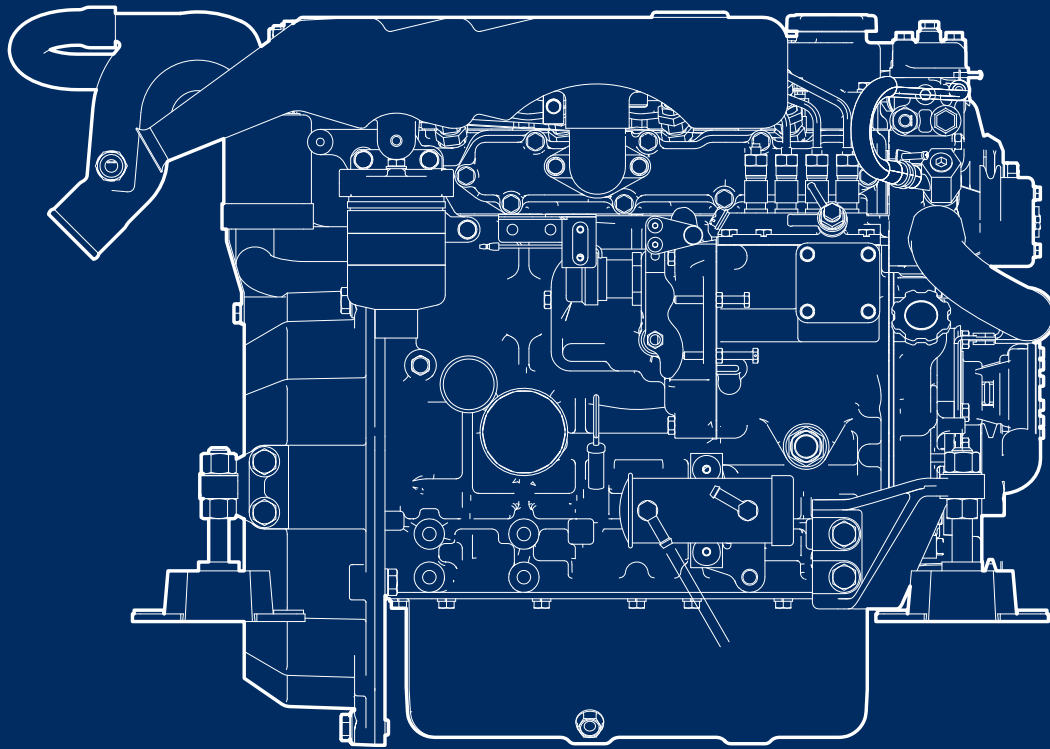




*Craftsman*  
MARINE



# SPARE PARTS

CATALOGUE **CM 4.52**

CRAFTED WITH CRAFTSMAN MARINE

PROPULSION

## **DISCLAIMER**

The specifications and the descriptions in this spareparts book were correct at the time of going to press. However, Craftsman Marine is continuously striving after the improvement of its products and therefore reserves the right to modify – at all times and without prior notification - product specifications and instruction manuals.

## 1.0 MARINISATION PARTS

1.1 SPARES SET	PAGE 4
1.2 AIR INTAKE	PAGE 6
1.3 AUXILIARY FUELPUMP & FILTER	PAGE 8
1.4 FLYWHEEL HOUSING	PAGE 10
1.5 ENGINE SUPPORT	PAGE 12
1.6 HEAT EXCHANGER	PAGE 14
1.7 TURBO CHARGER	PAGE 16
1.8 KEELCOOLER MANIFOLD	PAGE 18
1.9 THERMOSTAT	PAGE 20
1.10 HOSES	PAGE 22
1.11 RAW WATER PUMP	PAGE 24

## 2.0 MITSUBISHI PARTS

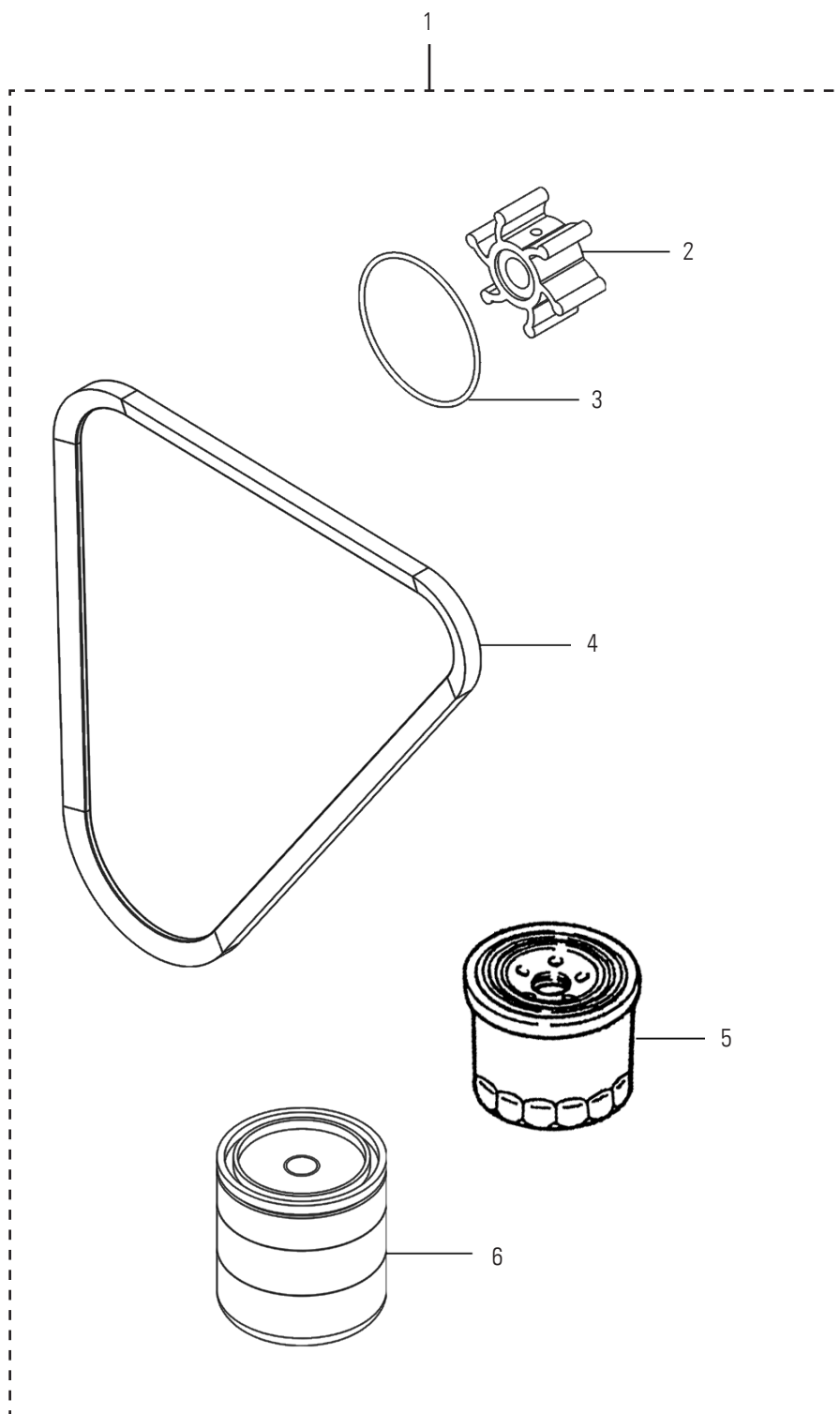
2.1 CIRCULATION PUMP & THERMOSTAT	PAGE 26
2.2 CRANKCASE ASSY	PAGE 28
2.3 CRANKCASE	PAGE 30
2.4 OIL PAN & OIL PUMP	PAGE 32
2.5 OIL COOLER	PAGE 34
2.6 CILINDER HEAD	PAGE 36
2.7 CRANKSHAFT & FLYWHEEL	PAGE 38
2.8 ROCKER COVER & CAMSHAFT	PAGE 40
2.9 TIMING GEAR & CASE	PAGE 42
2.10 GOVERNOR	PAGE 44
2.11 FUEL SYSTEM	PAGE 46
2.12 FUEL INJECTION PUMP DRIVE	PAGE 48
2.13 INJECTION PUMP	PAGE 50
2.14 NOZZLE & NOZZLE HOLDER	PAGE 52

## 3.0 ELECTRONICS

3.1 STARTER MOTOR & ALTERNATOR	PAGE 54
3.2 TERMINAL BOX	PAGE 56
3.3 SENSORS	PAGE 58
3.4 INSTRUMENT PANEL	PAGE 60
3.5 INSTRUMENT PANEL	PAGE 62

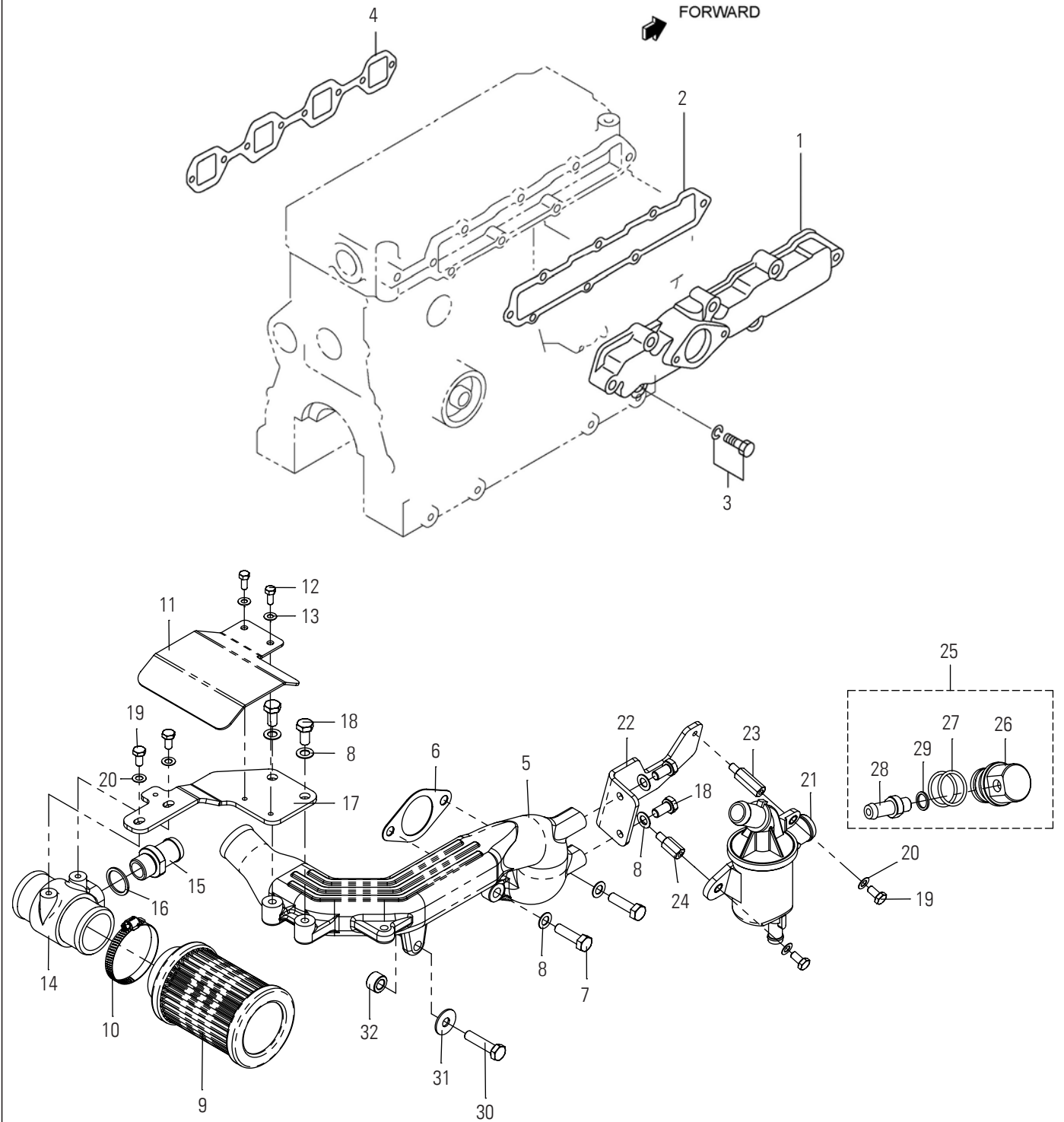


## 1.1 SPARES SET





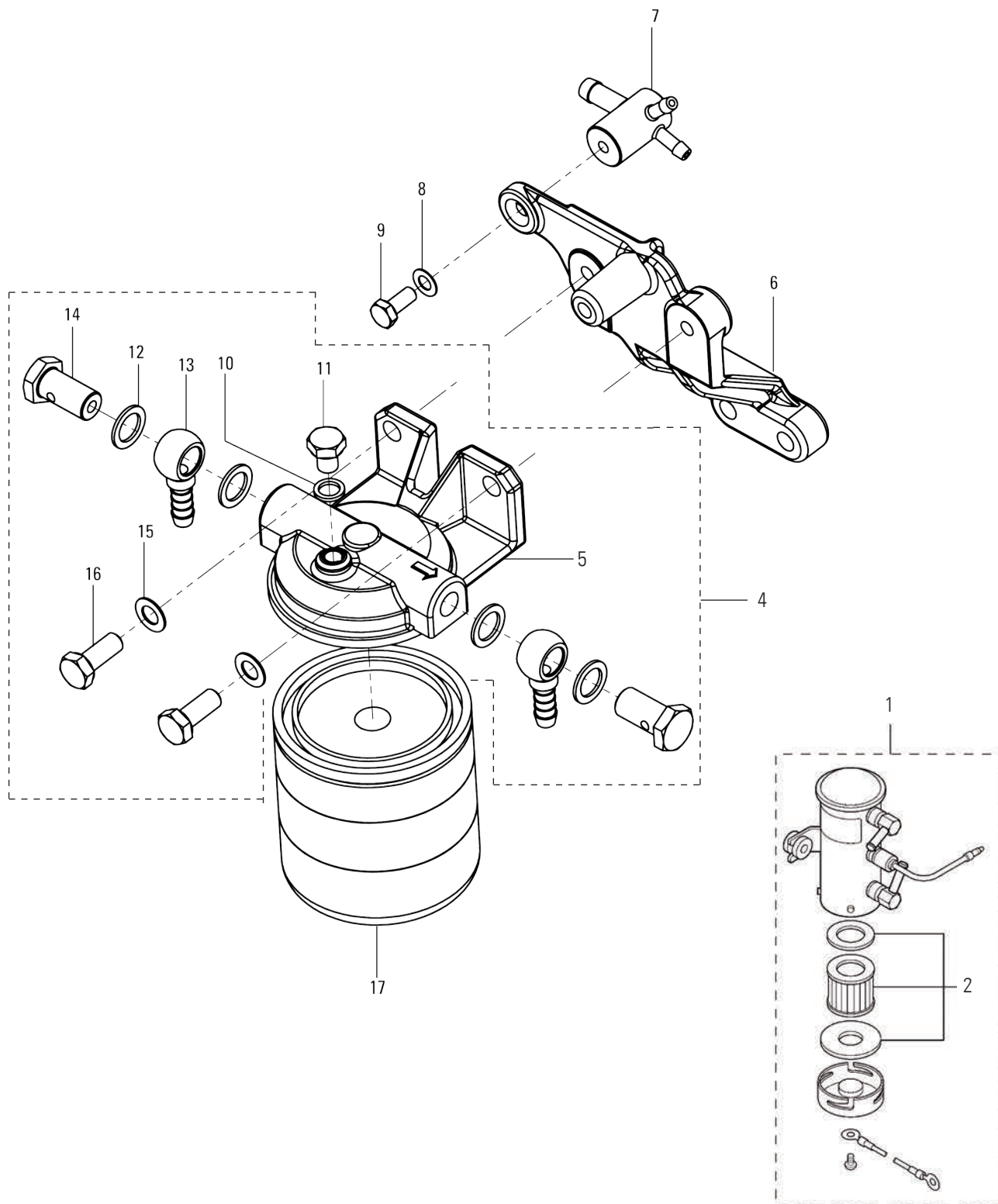
## 1.2 AIR INTAKE





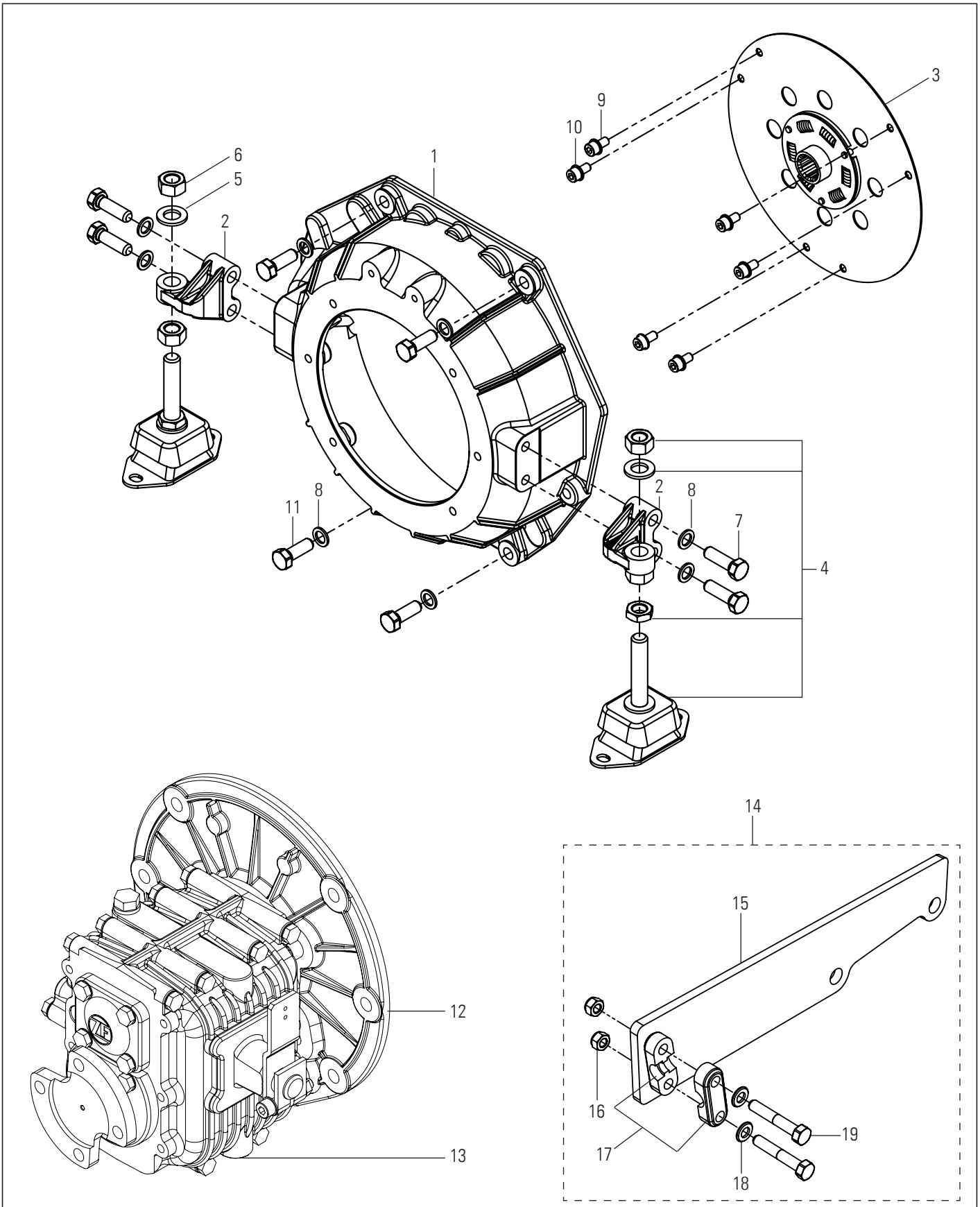


## 1.3 AUXILIARY FUELPUMP & FILTER



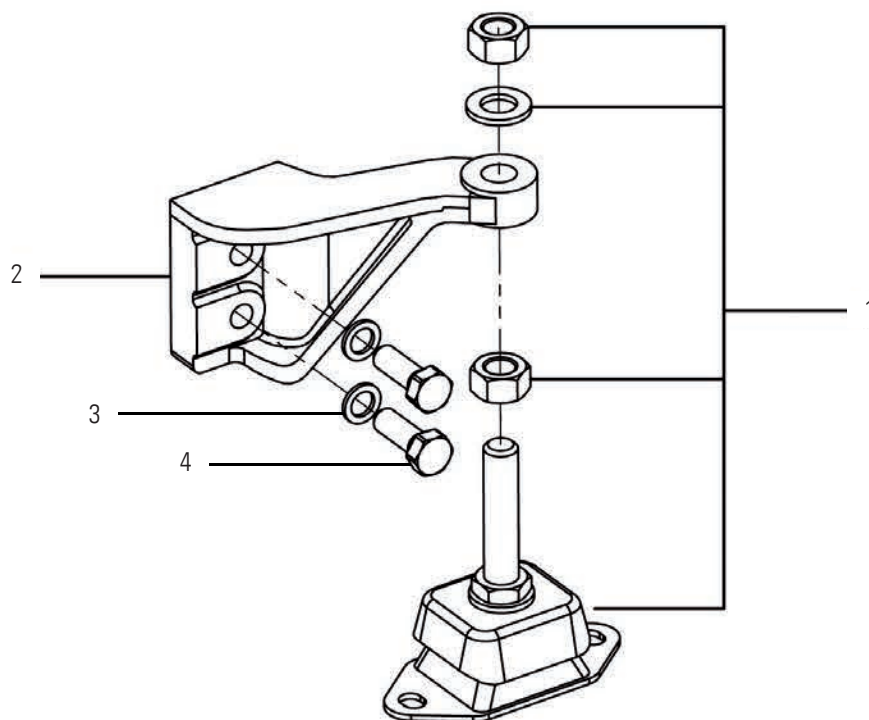


## 1.4 FLYWHEEL HOUSING



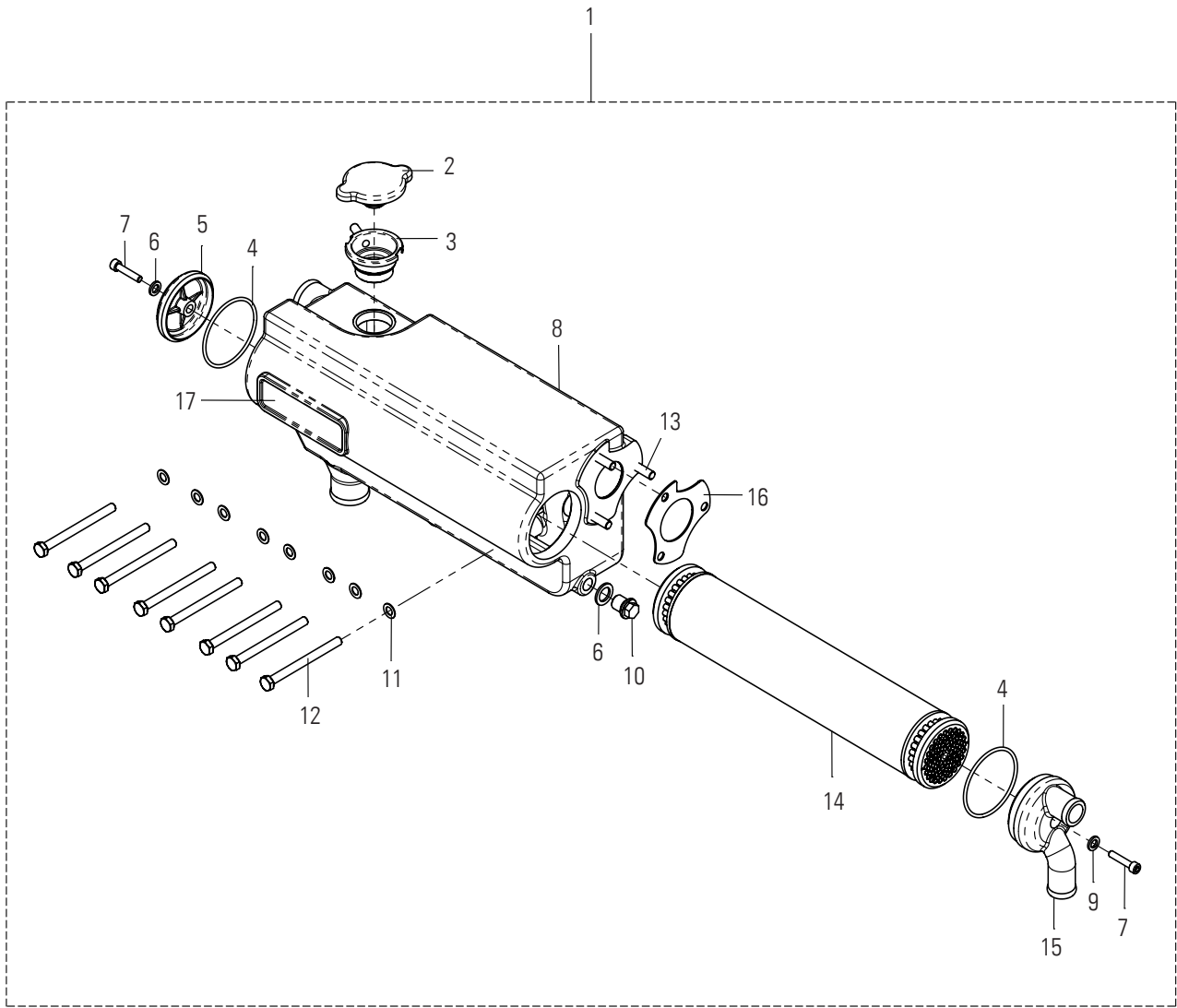


## 1.5 ENGINE SUPPORT





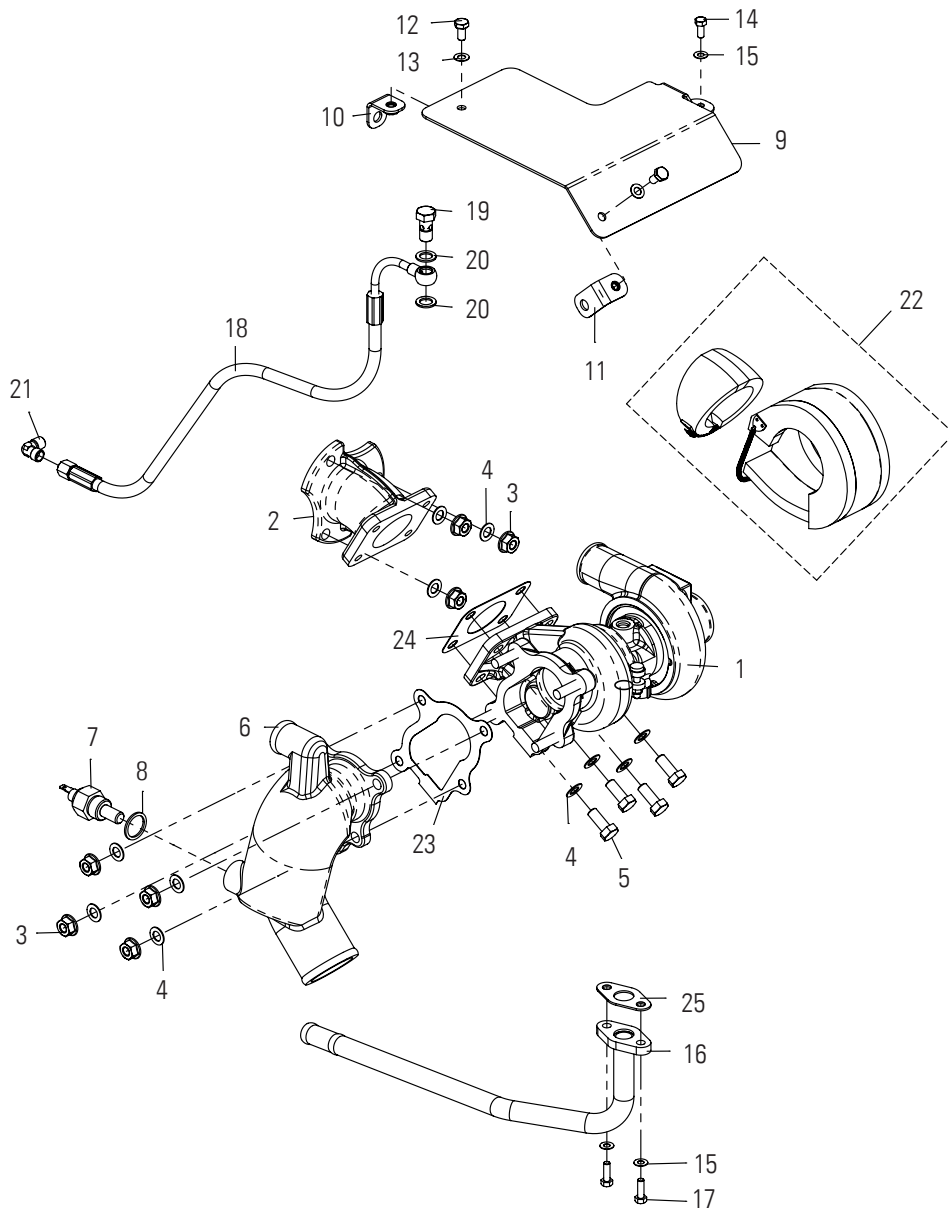
## 1.6 HEAT EXCHANGER





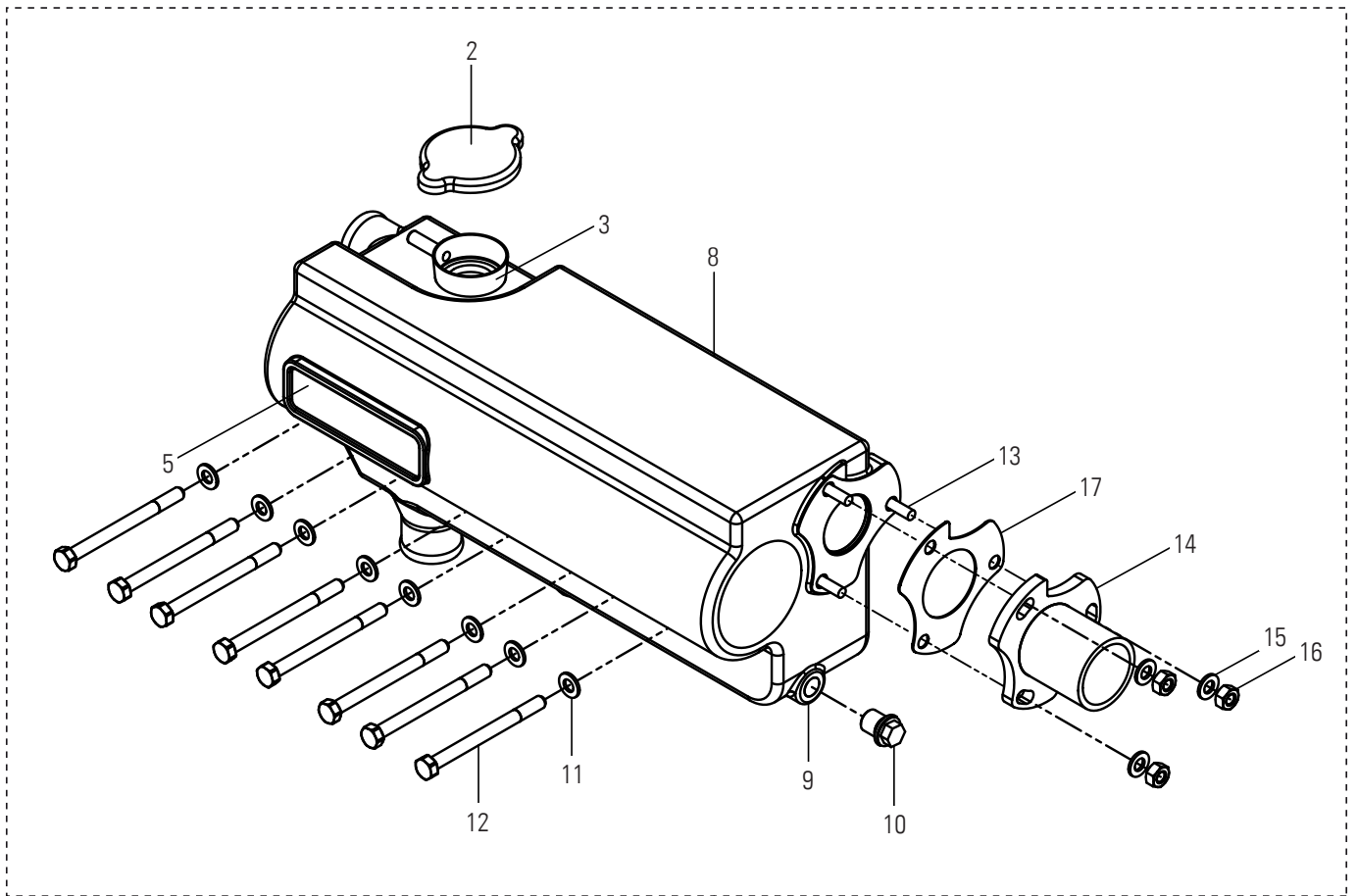


## 1.7 TURBO CHARGER



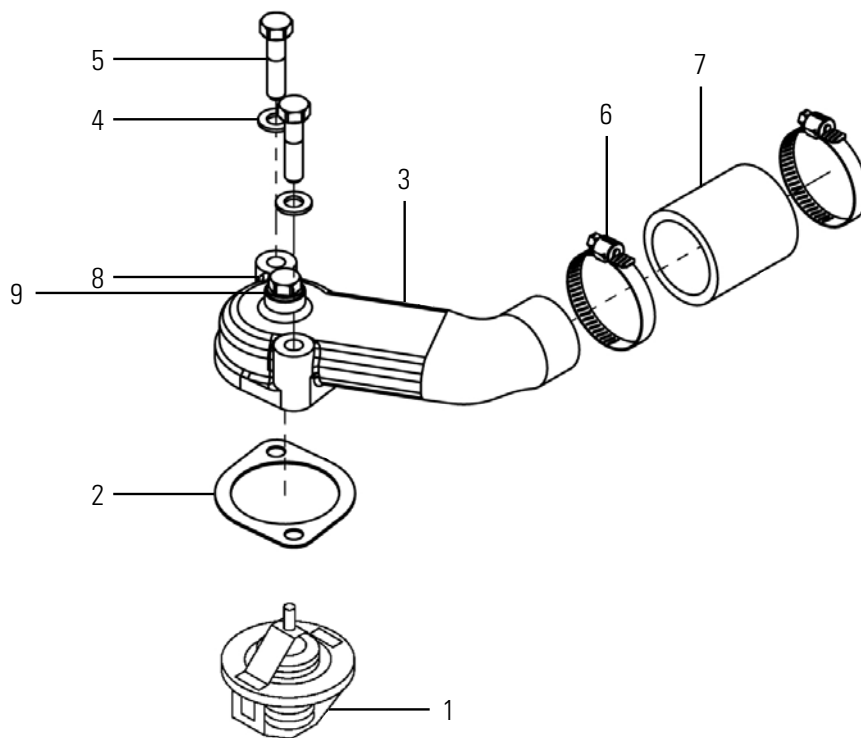


## 1.8 KEELCOOLER MANIFOLD



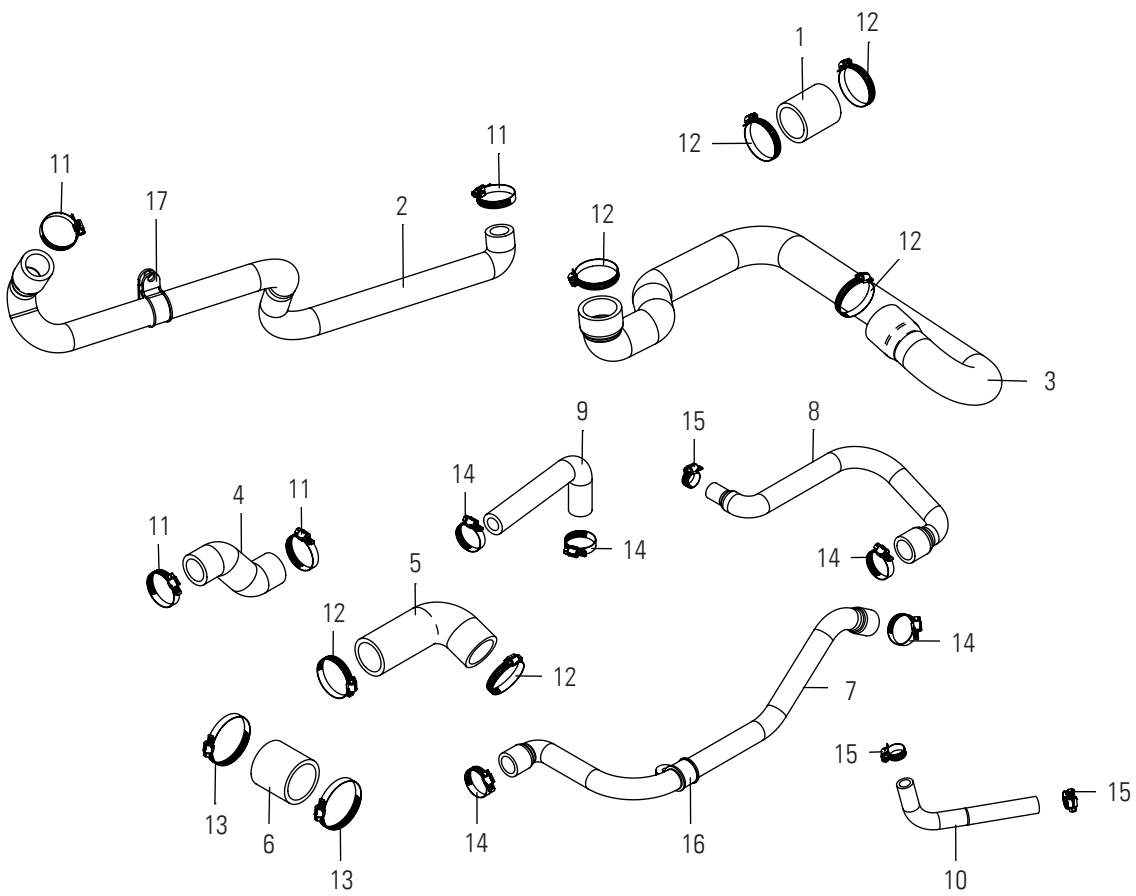


## 1.9 THERMOSTAT





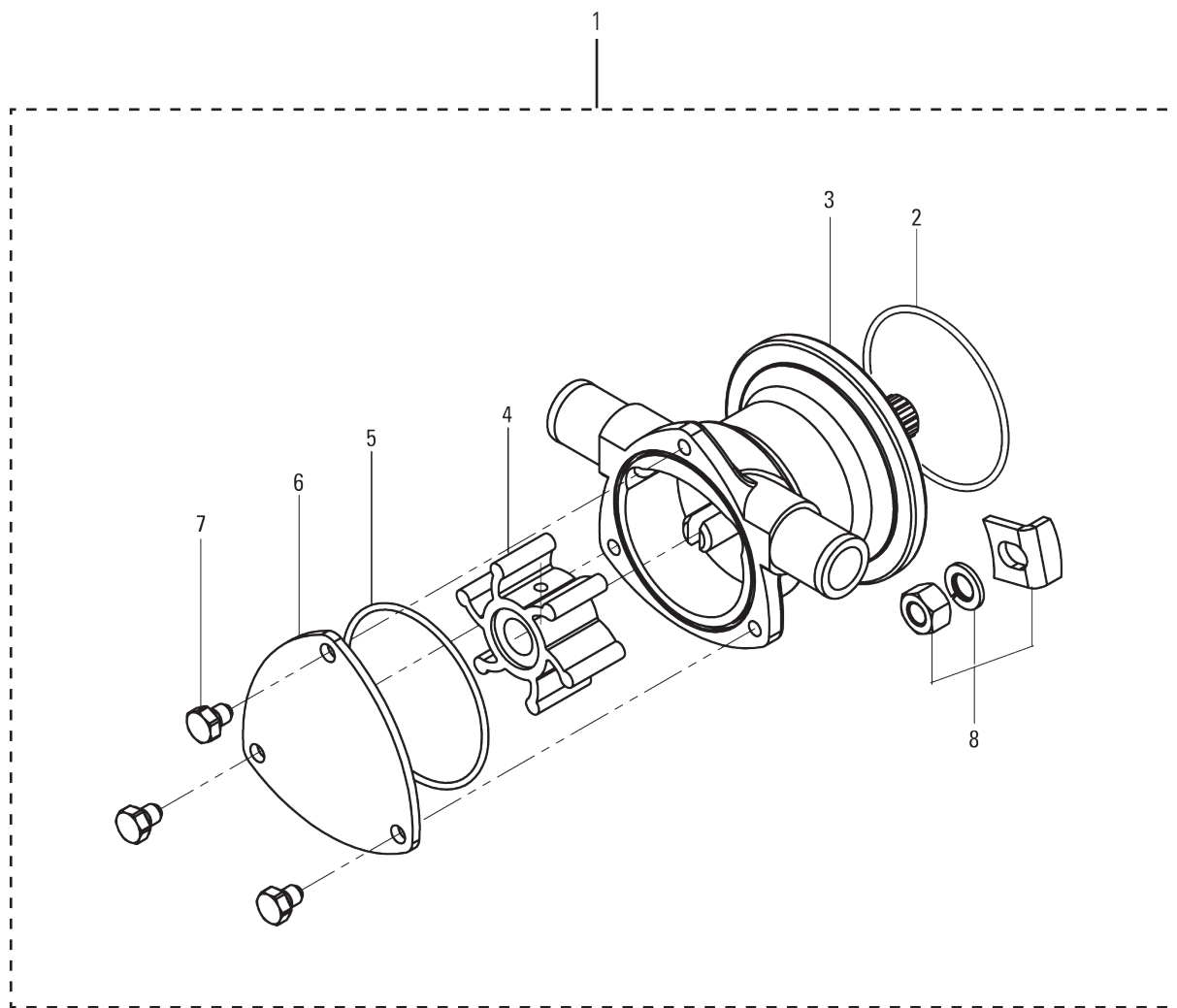
## 1.10 HOSES





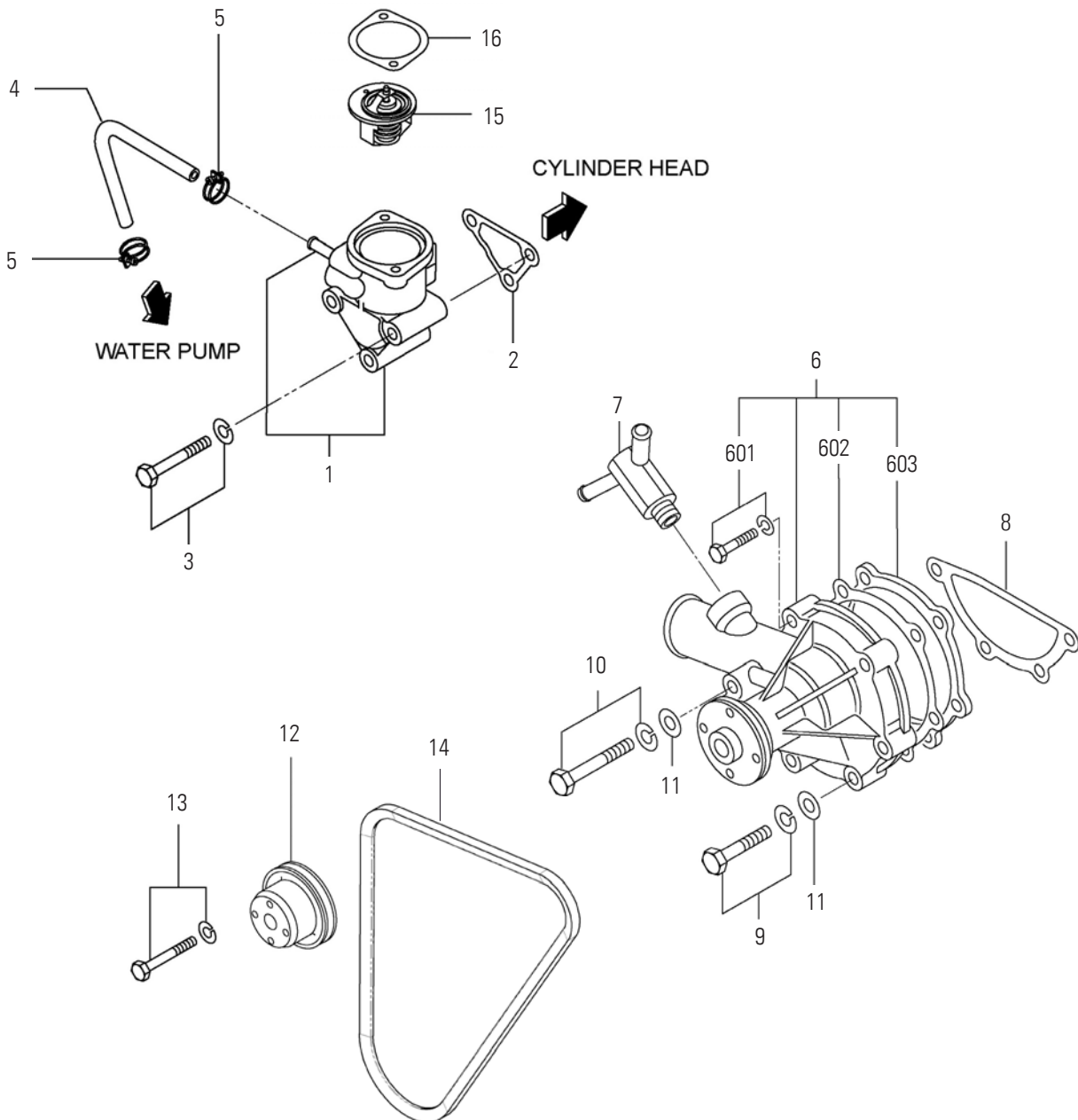


## 1.11 RAW WATER PUMP



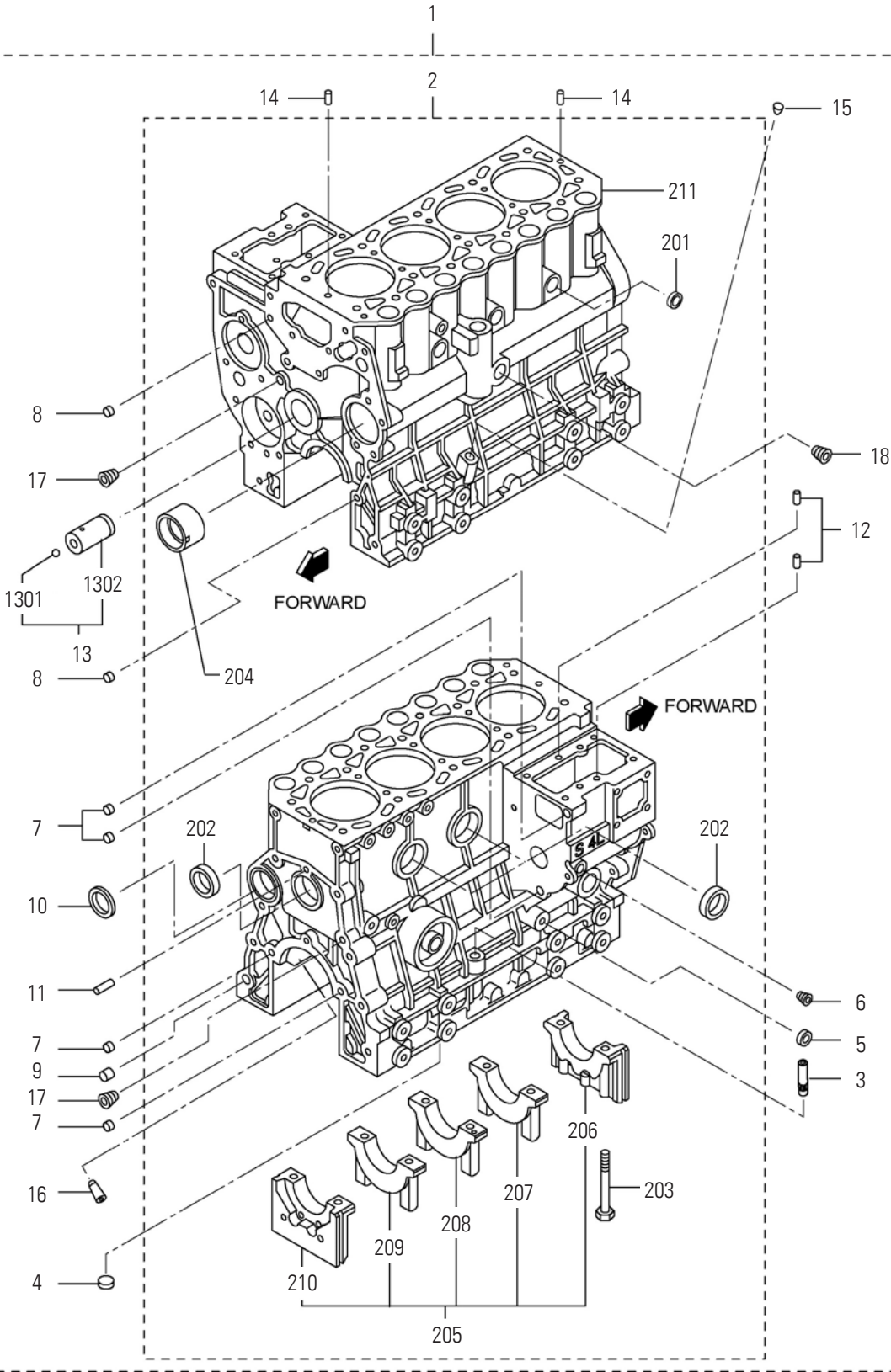


## 2.1 CIRCULATION PUMP & THERMOSTAT



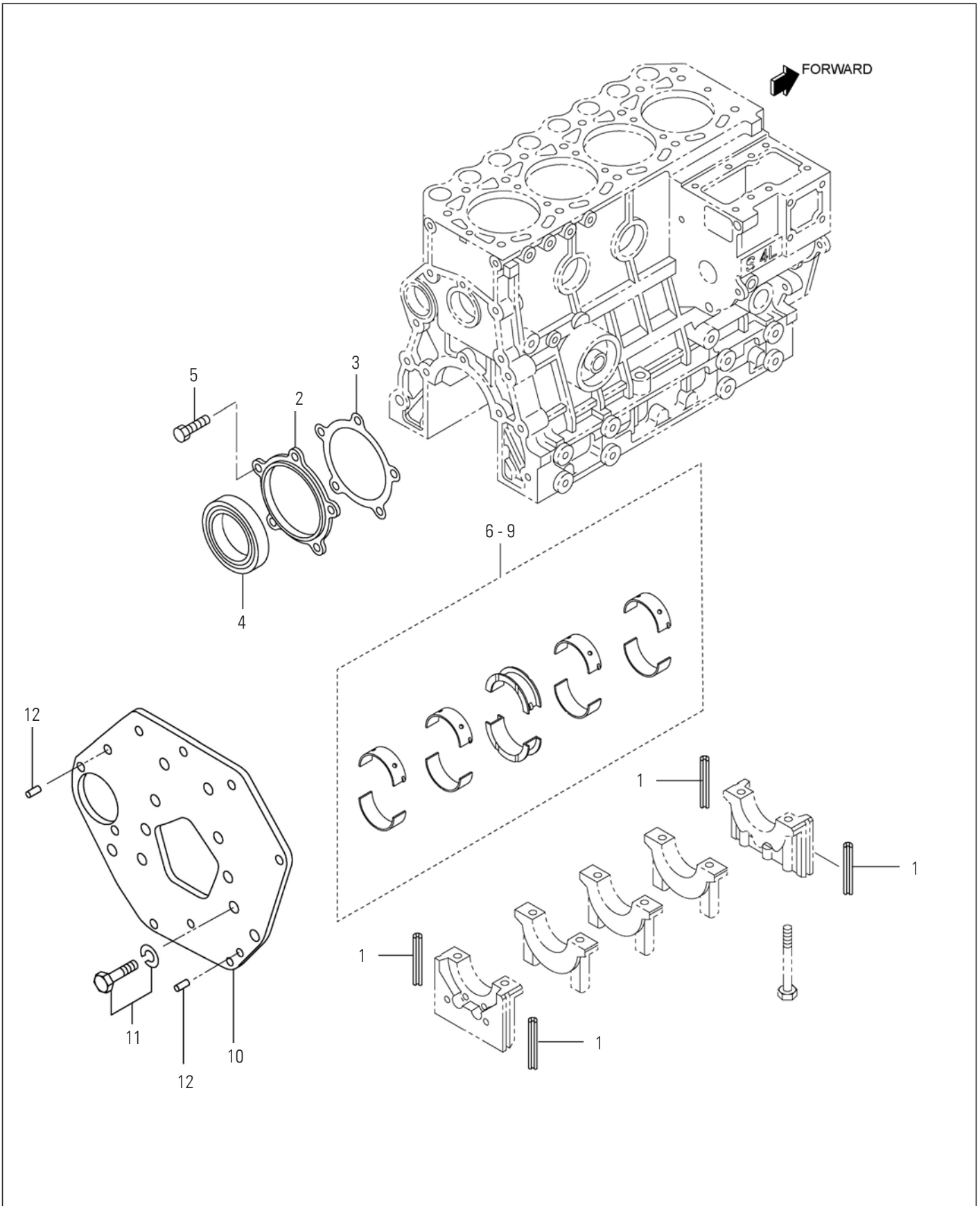


## 2.2 CRANKCASE ASSY





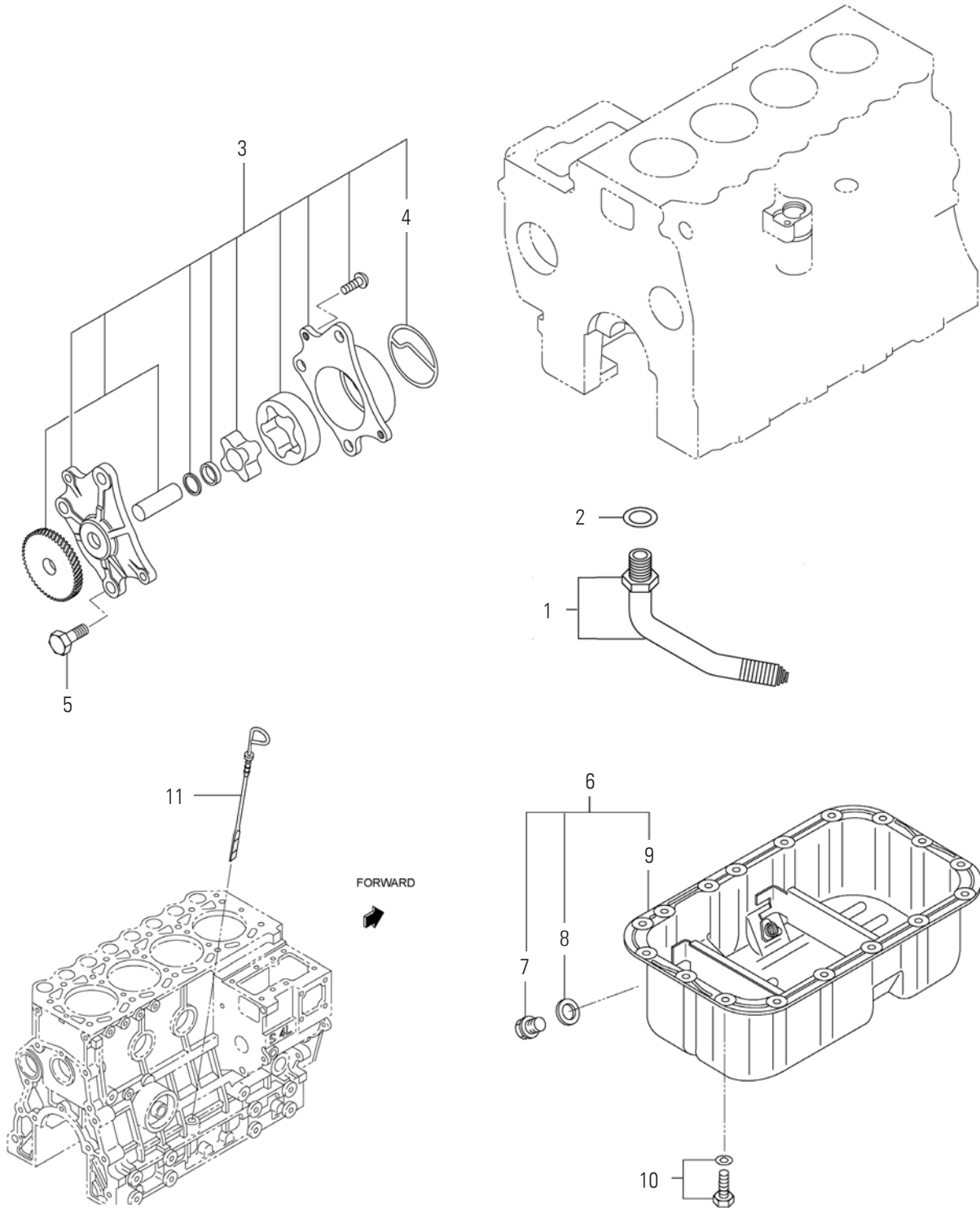
## 2.3 CRANKCASE







## 2.4 OIL PAN & OIL PUMP

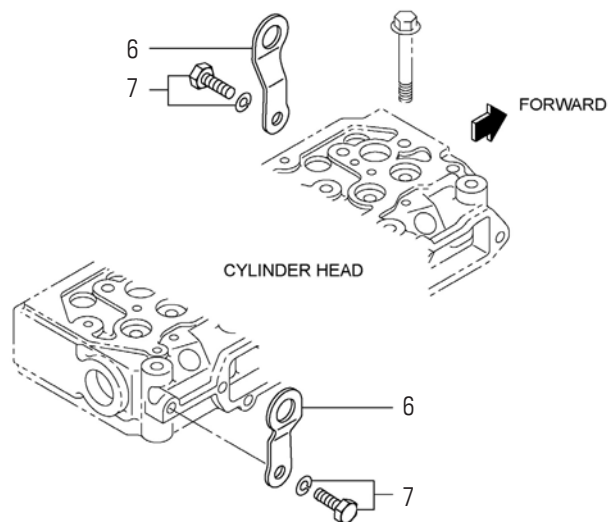
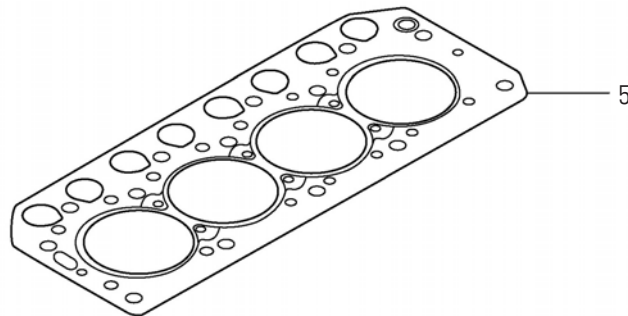
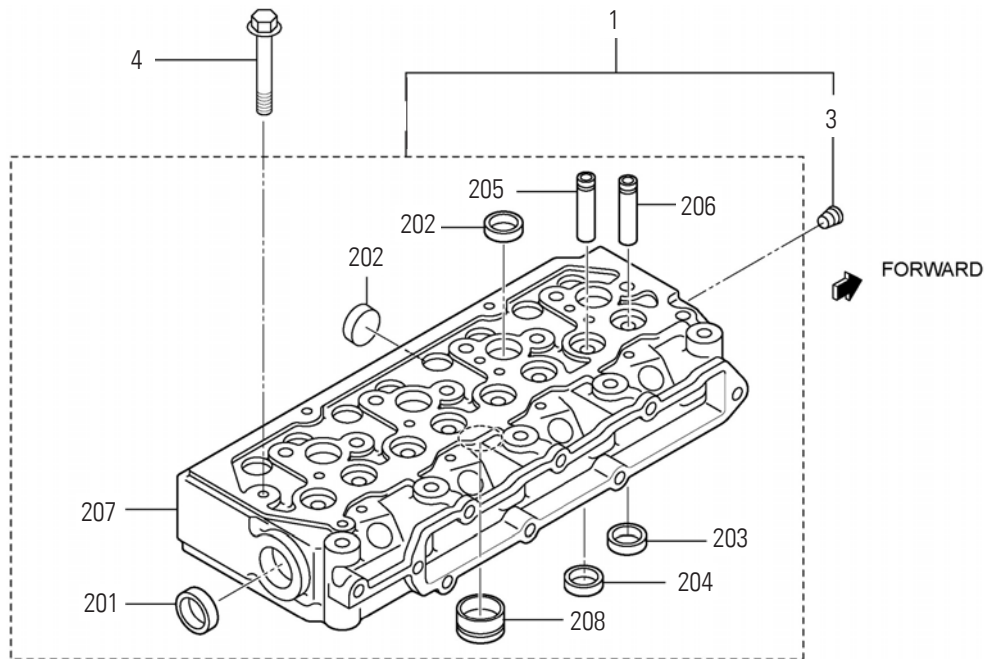






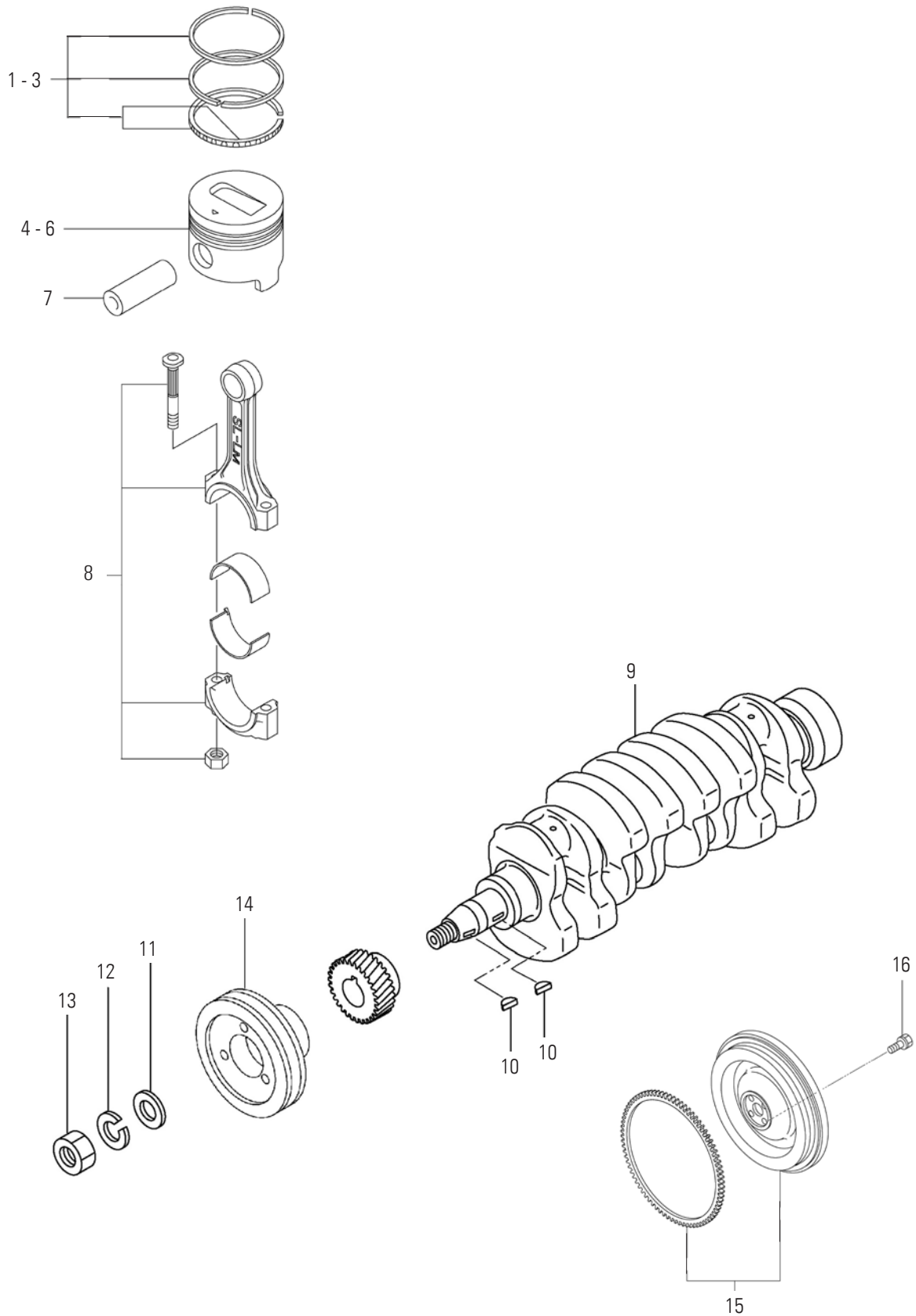


## 2.6 CILINDER HEAD





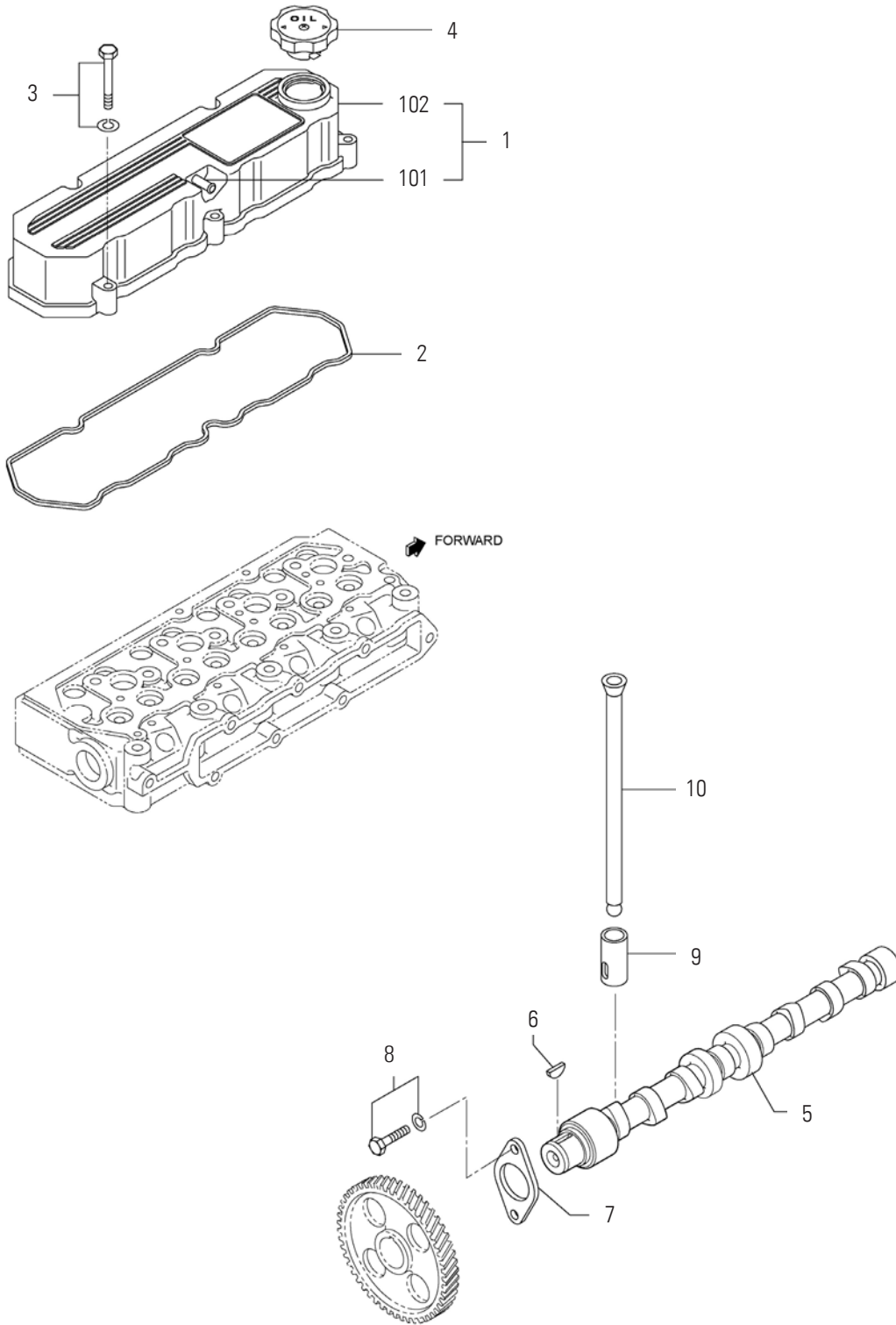
## 2.7 CRANKSHAFT & FLYWHEEL





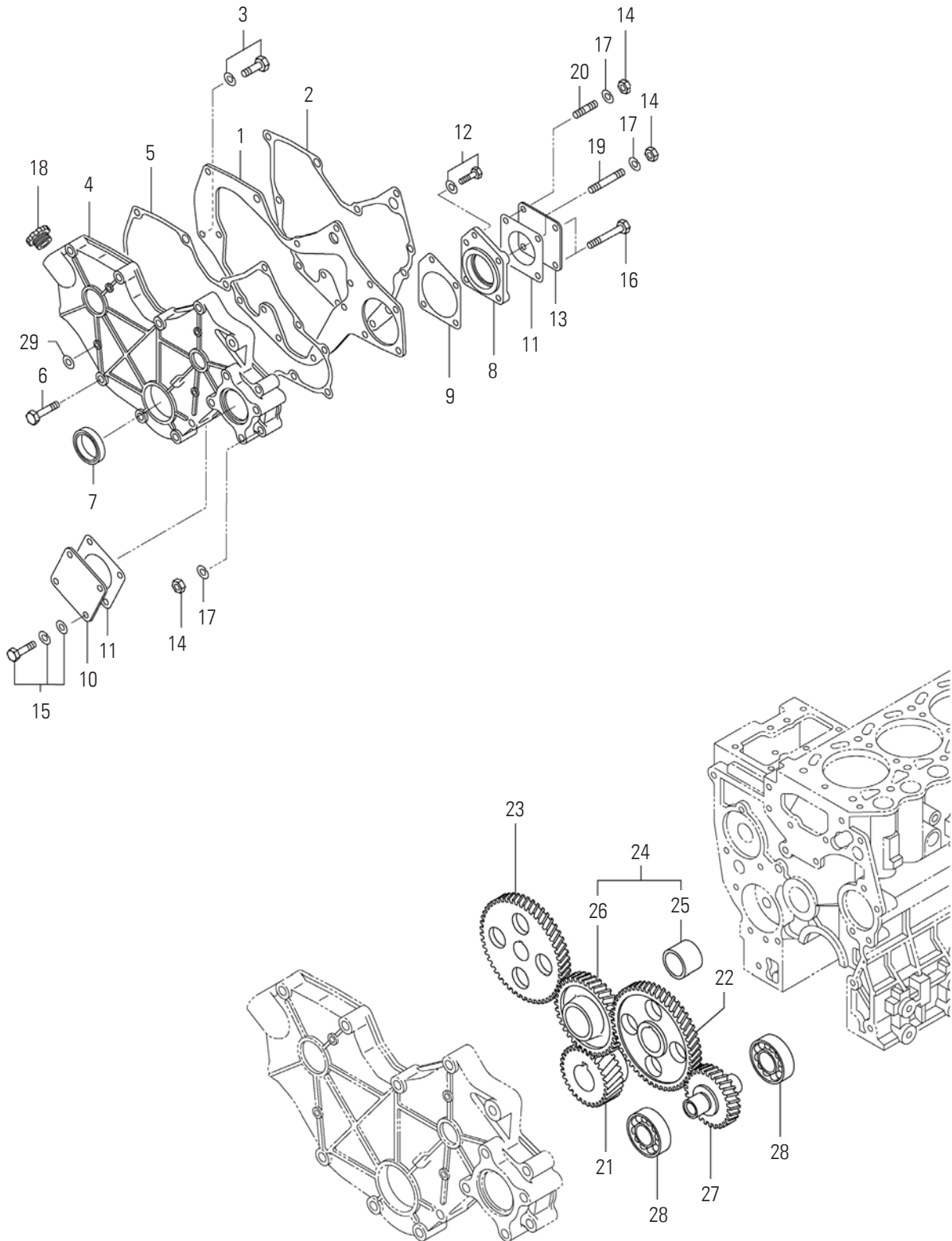


## 2.8 ROCKER COVER & CAMSHAFT





## 2.9 TIMING GEAR & CASE



## 2.10 GOVERNOR

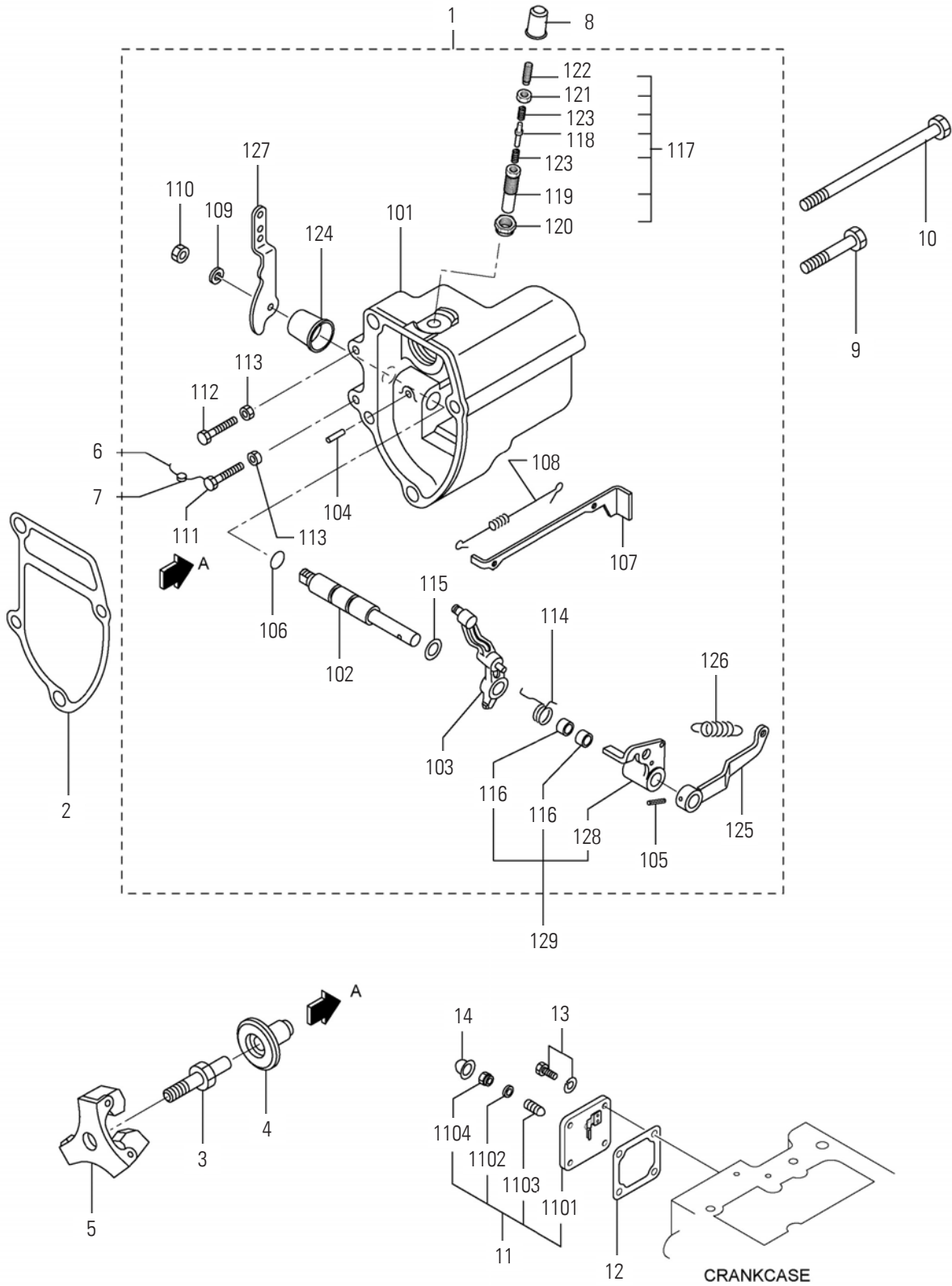
Pos.	Qty	Part	Description	Comment
1	1	.	CASE ASSY, GOVERNOR	
101	1	AA.400.90241	CASE, GOVERNOR	
102	1	AA.400.90242	SHAFT, GOVERNOR	
103	1	AA.400.90243	LEVER, GOVERNOR	
104	1	AA.400.90244	PIN, GROOVED	
105	1	AA.400.90245	PIN, SPRING	
106	1	AA.400.90246	O-RING	
107	1	AA.400.90247	TIE ROD	
108	1	AA.400.90248	SPRING, TIE ROD	
109	1	AA.400.90146	WASHER, SPRING	
110	1	AA.400.90249	NUT, JAM	
111	1	AA.400.90250	BOLT, SPEED SET	
112	1	AA.400.90251	BOLT, LOW IDLE SET	
113	2	AA.400.90252	NUT	
114	1	AA.400.90253	SPRING, START	
115	1	AA.400.90254	SHIM, GOVERNOR SHAFT	
116	2		BEARING, NEEDLE	
117	1		SCREW ASSY, RACK SET	
118	1		SOPPER, SPRING	
119	1		CASE, TORQUE SPRING	
120	1	AA.400.90256	NUT, TORQUE SET	
121	1		NUT	
122	1		SCREW,ADJUSTING	
123	2		SPRING,TORQUE	
124	1	AA.400.90258	COVER, GOVERNOR SHAFT	
125	1	AA.400.90259	LEVER, GOVERNOR SPRING	
126	1		SPRING, GOVERNOR	
127	1	AA.400.90261	LEVER, SPEED CONTROL	
128	1		LEVER, TENSION	
129	1		LEVER ASSY, TENSION	
2	1	AA.400.00174	GASKET, GOVERNOR CASE	
3	1	AA.400.90263	SHAFT, SLIDING SLEEVE	
4	1	AA.400.90264	SLEEVE, SLIDING	
5	1		WEIGHT ASSY, GOVERNOR	
6	1		METAL	
7	1	AA.400.90266	WIRE	
8	1	AA.400.90268	CAP, TORQUE SET	
9	3	AA.400.90135	BOLT	
10	1	AA.400.90269	BOLT, GOVERNOR CASE	
11	1		COVER ASSY, TIE ROD	
1101	1		COVER	
1102	1		GASKET	
1103	1		SCREW, ADJUSTING	
1104	1		NUT, SPECIAL	
12	1	AA.400.00175	GASKET, TIE ROD COVER	
13	4	AA.400.90271	BOLT, WASHER	
14	1		CAP, SEALING	

MARINISATION PARTS

mitsubishi PARTS

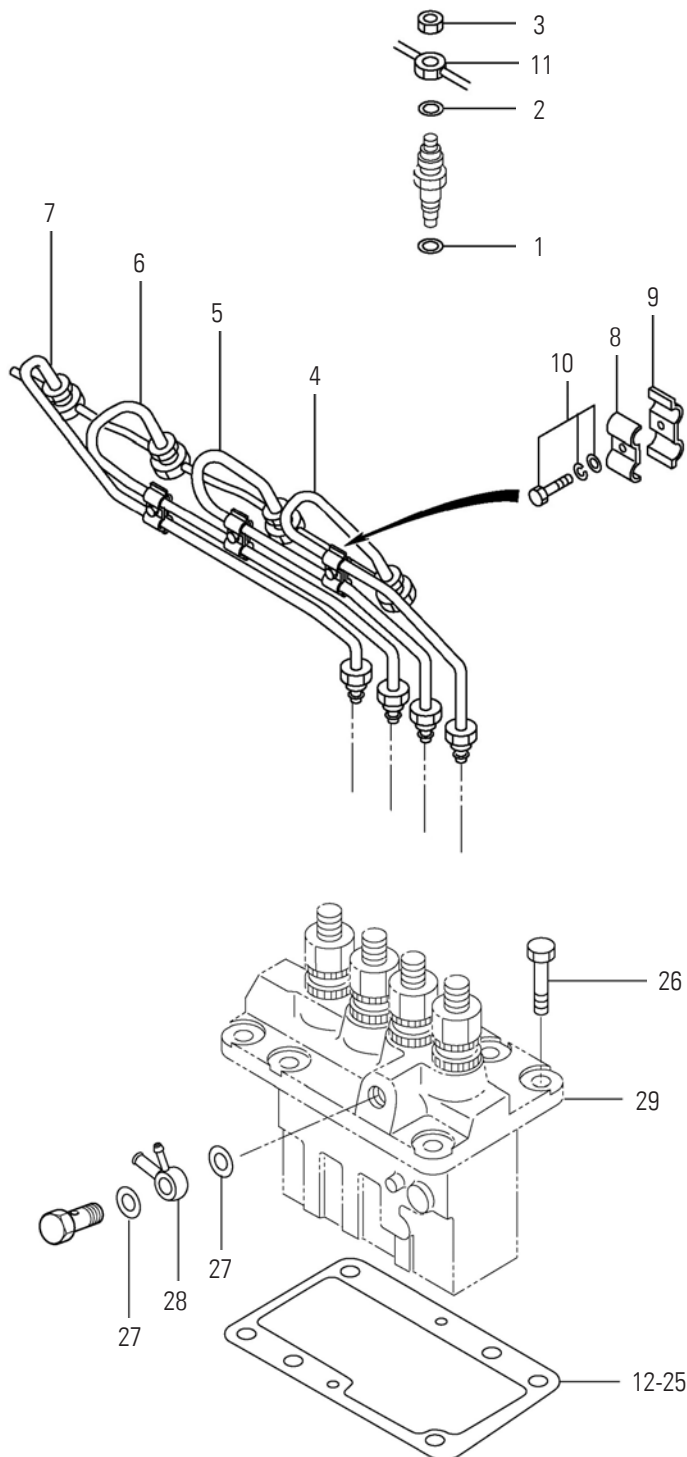
ELECTRONICS

## 2.10 GOVERNOR





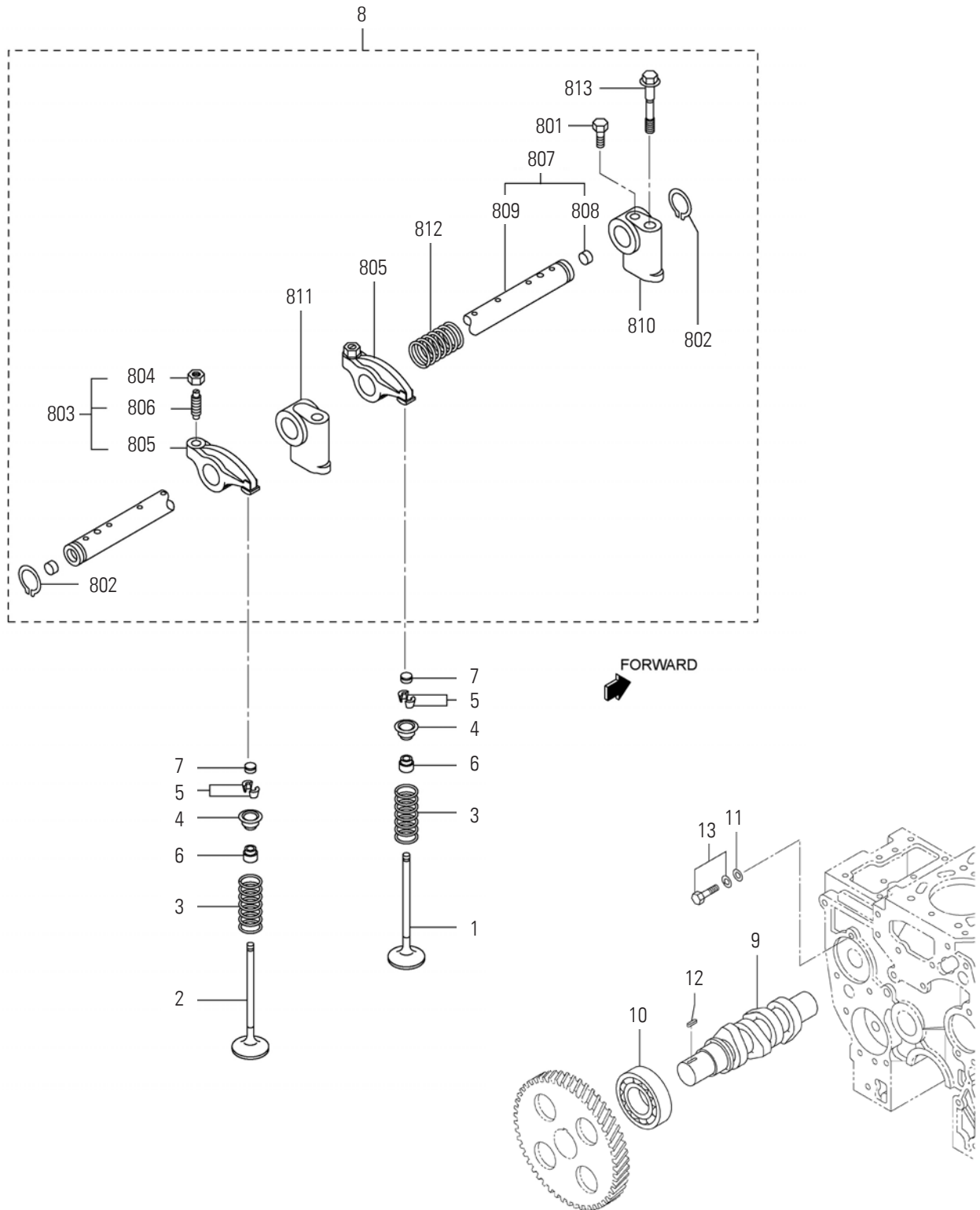
## 2.11 FUEL SYSTEM





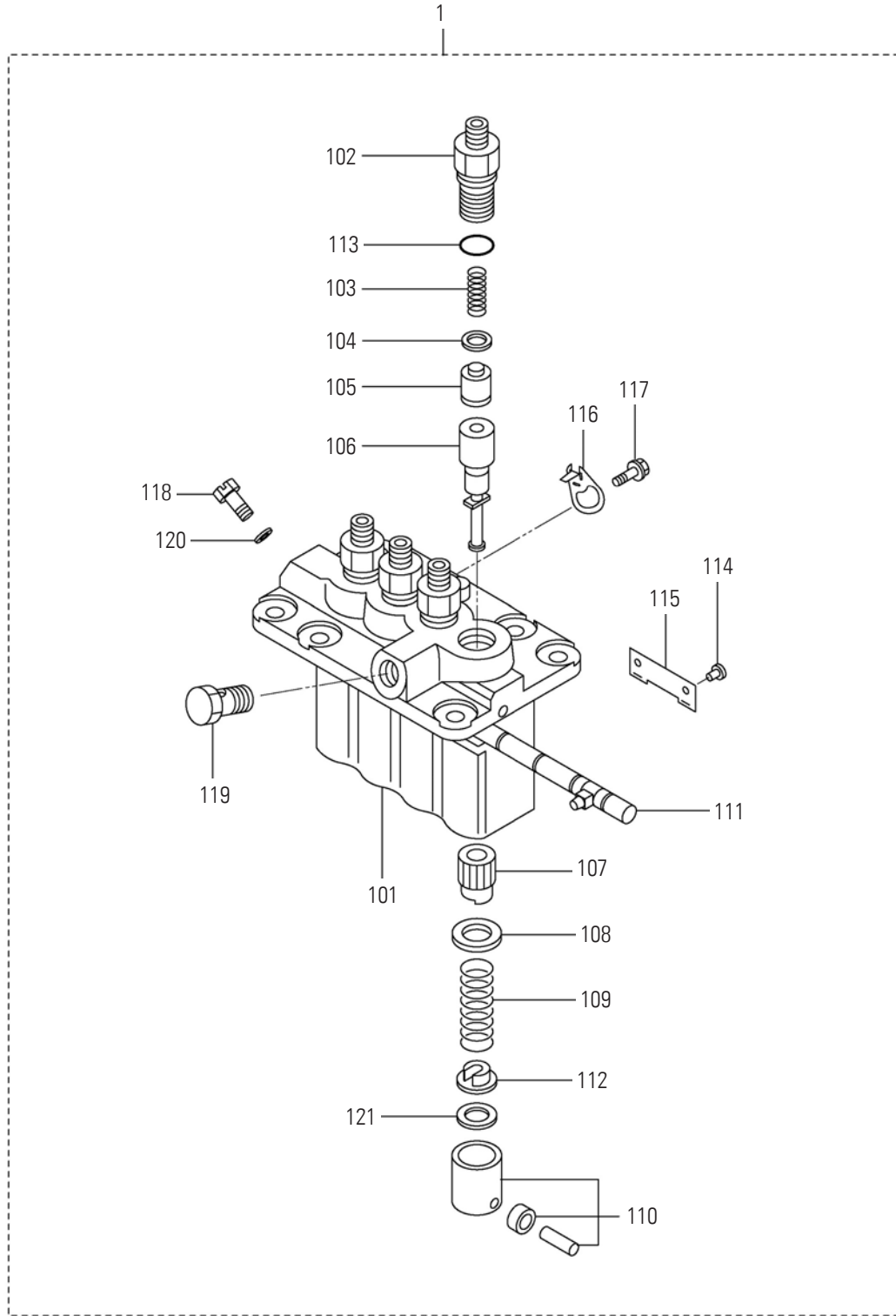


## 2.12 FUEL INJECTION PUMP DRIVE



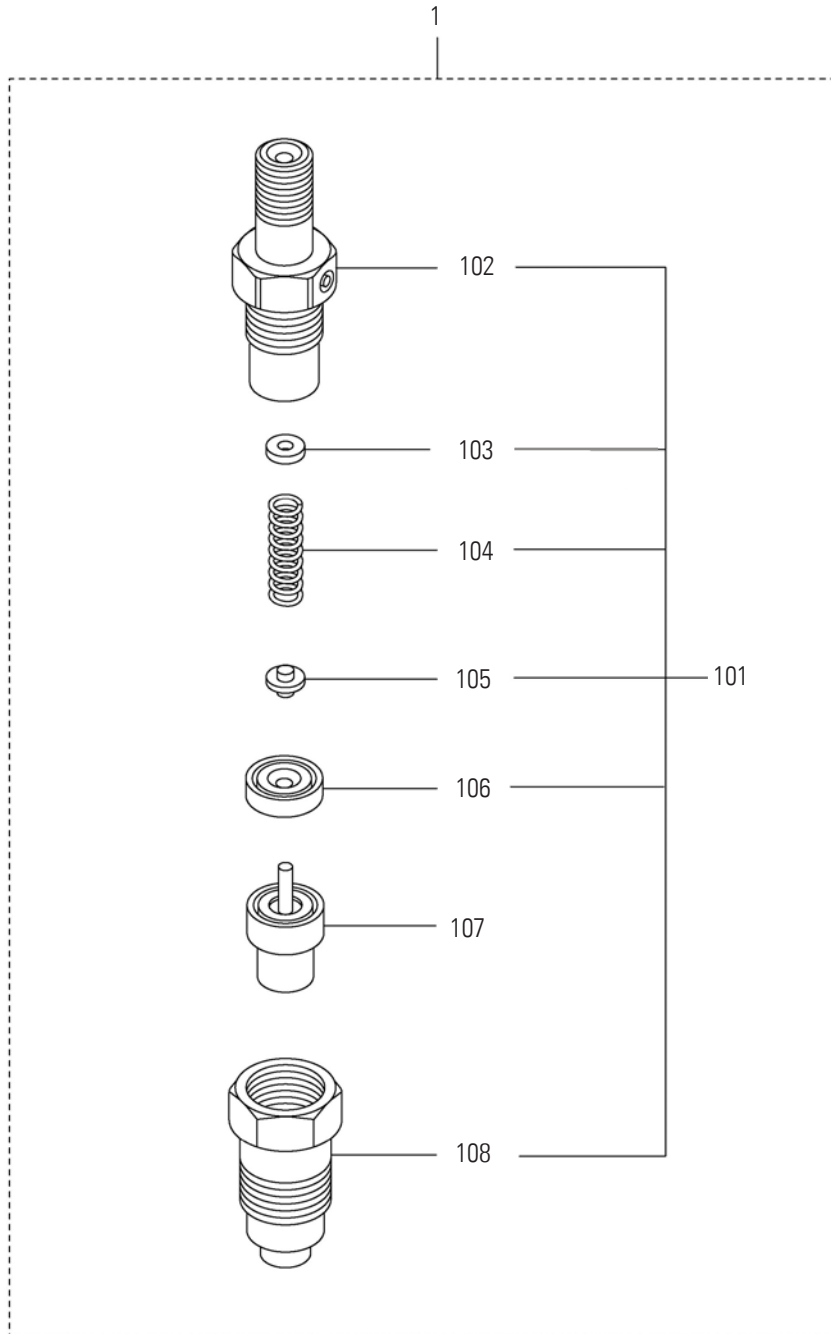


## 2.13 INJECTION PUMP



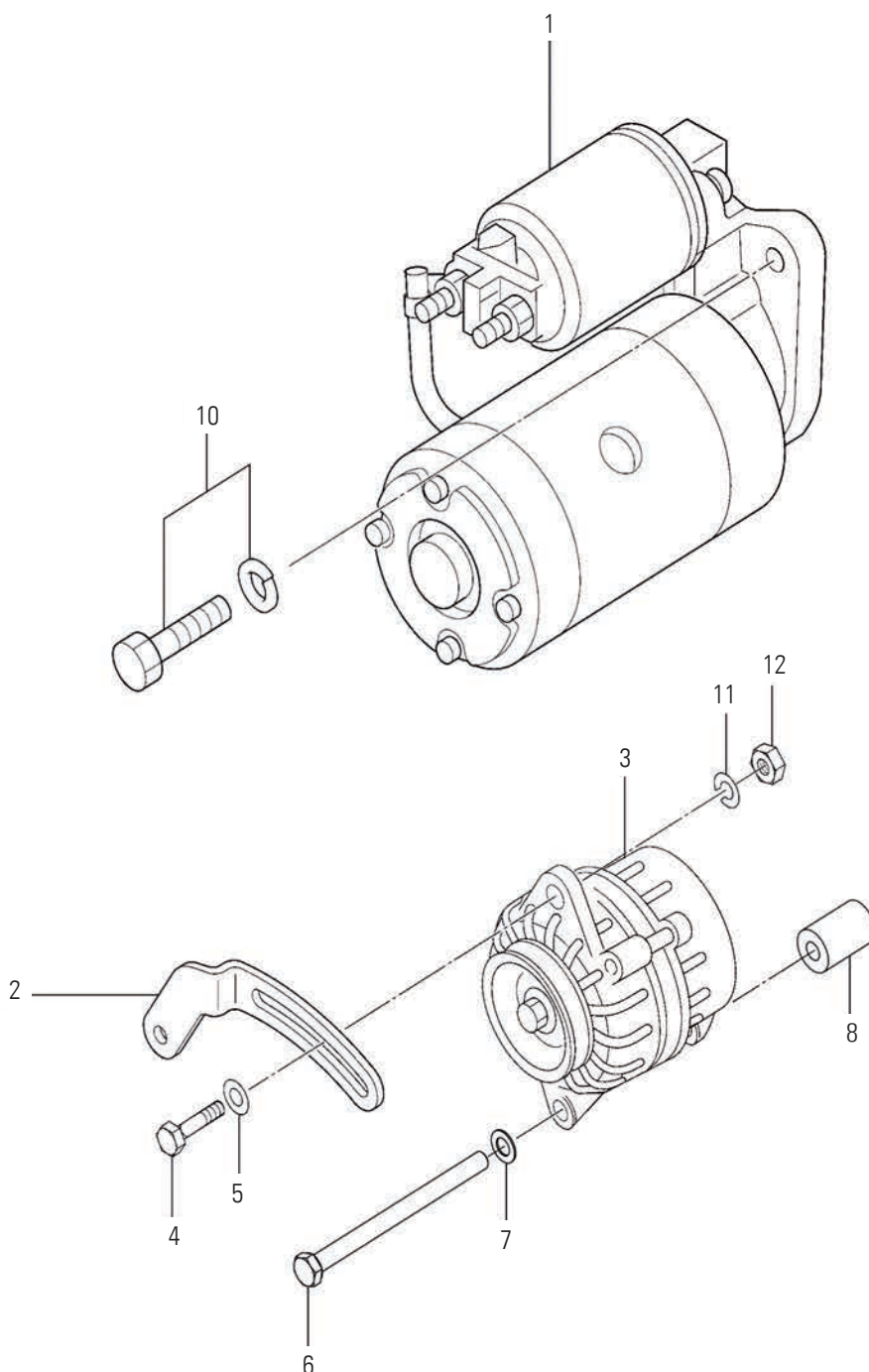


2.14 NOZZLE & NOZZLE HOLDER





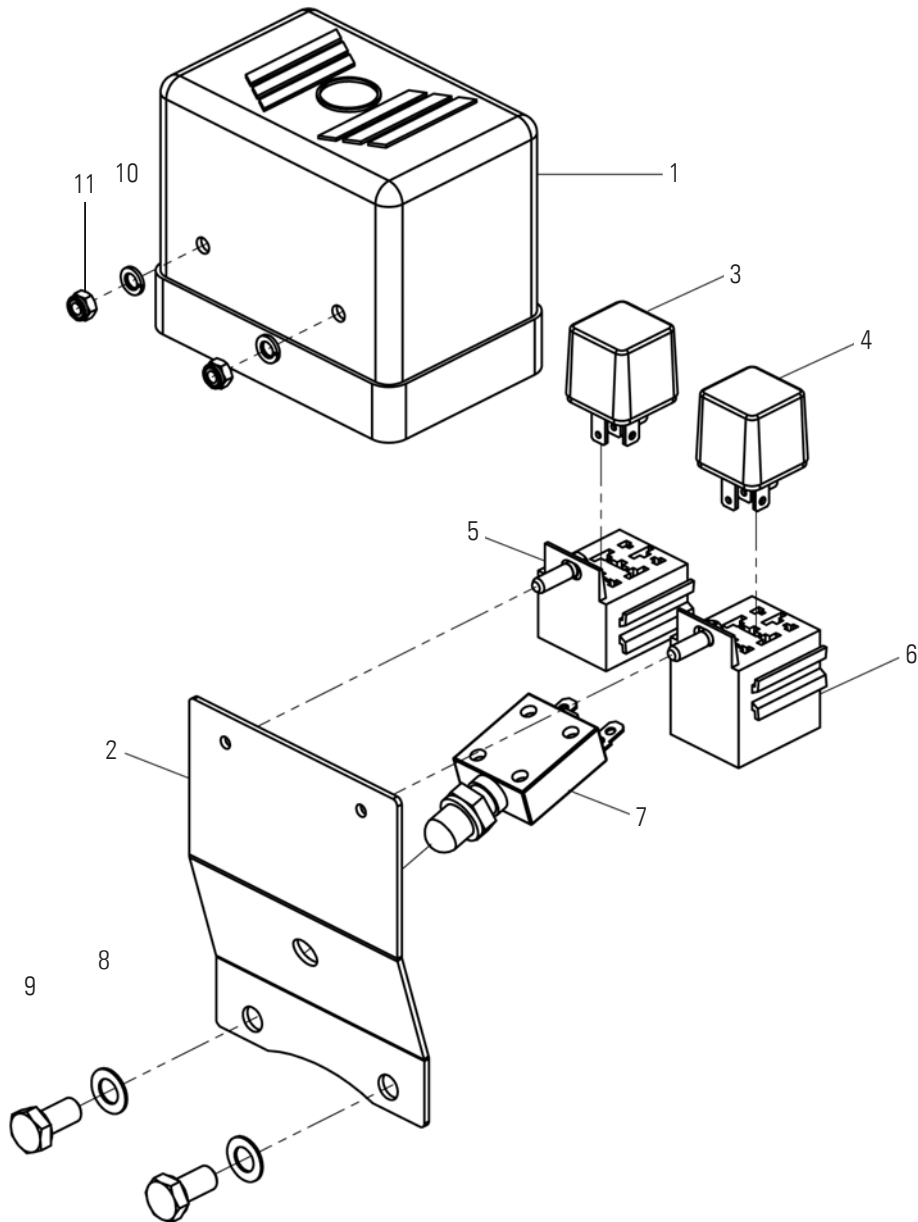
## 3.1 STARTER MOTOR & ALTERNATOR





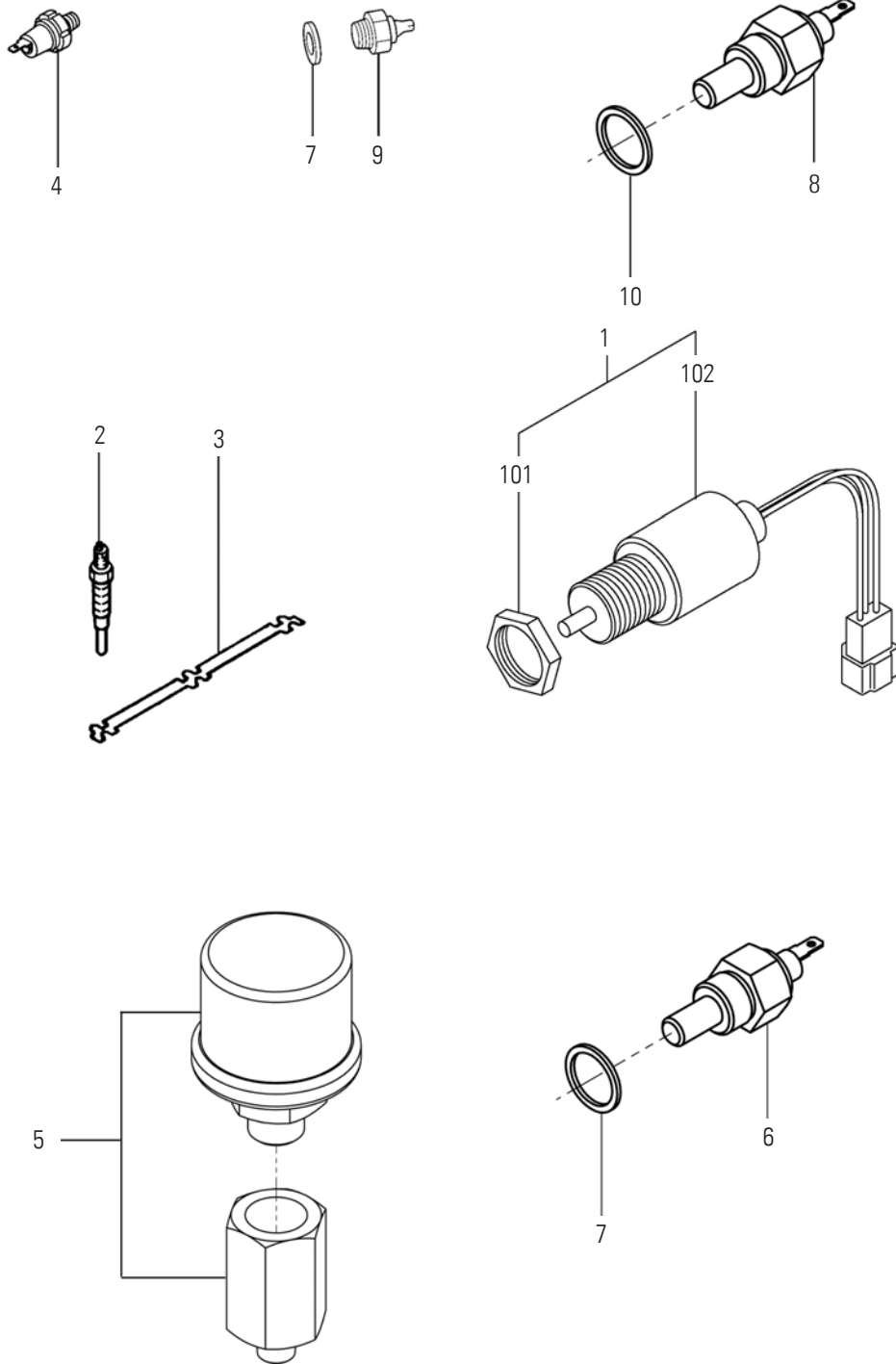


## 3.2 TERMINAL BOX



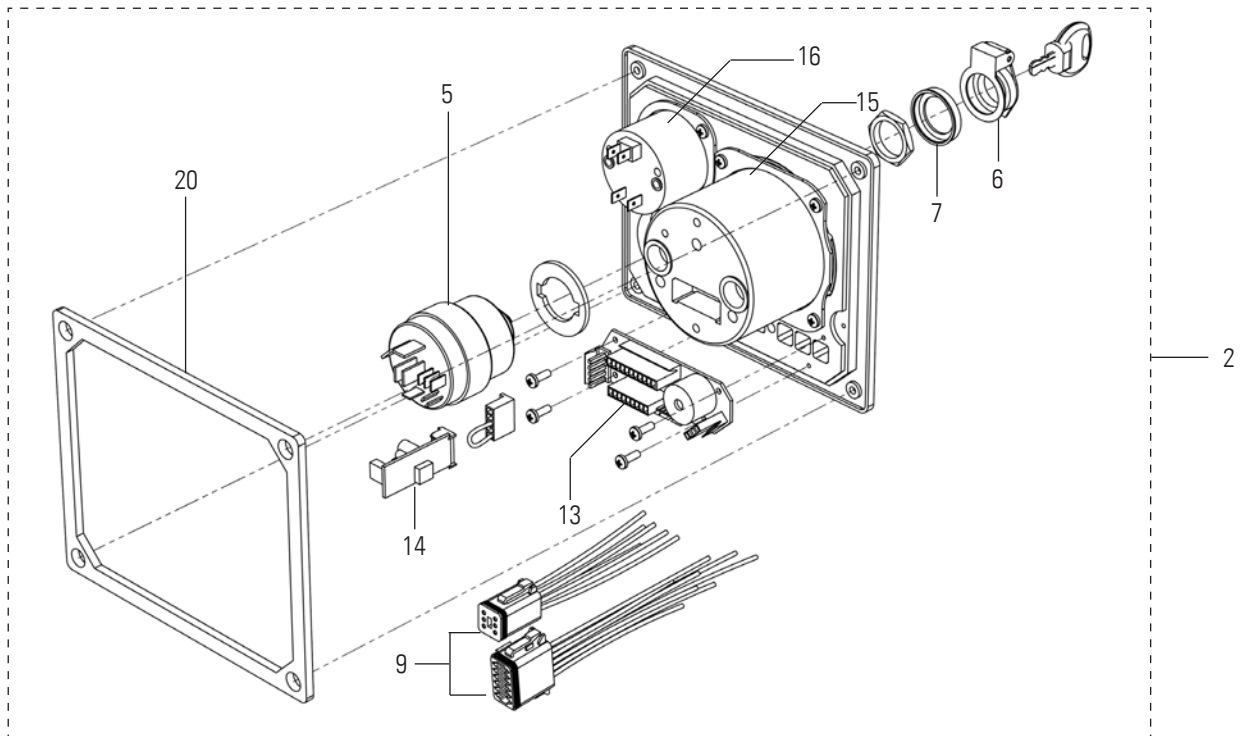
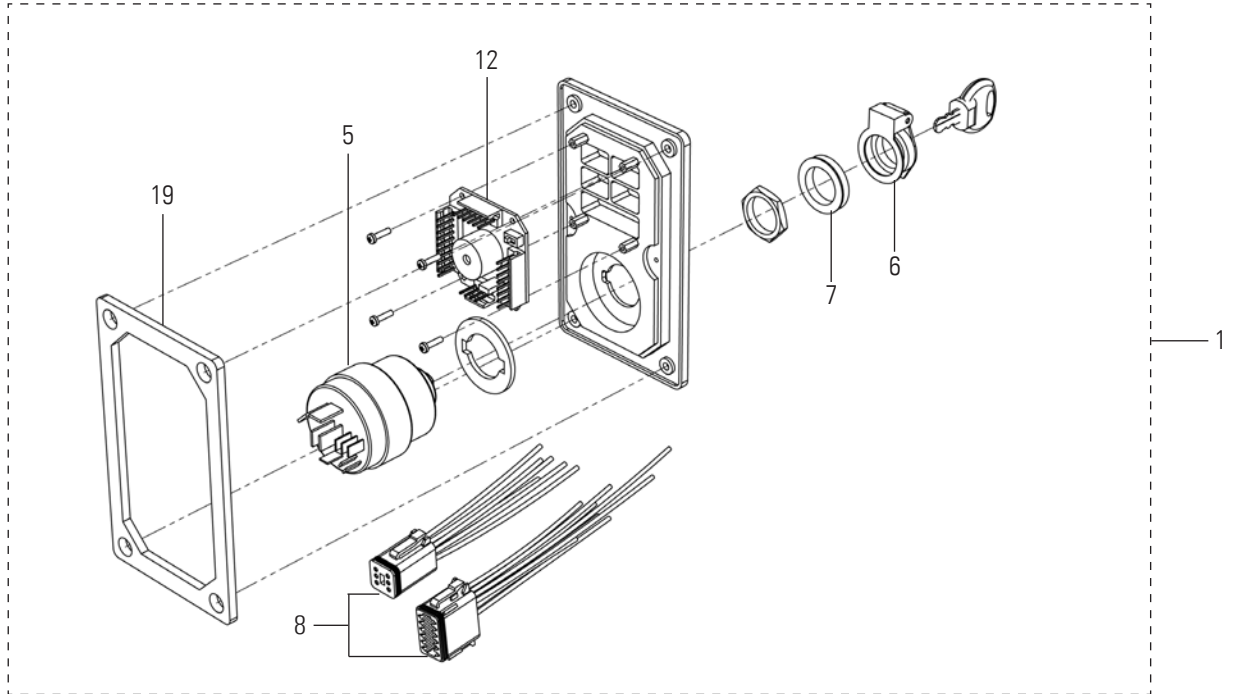


## 3.3 SENSORS



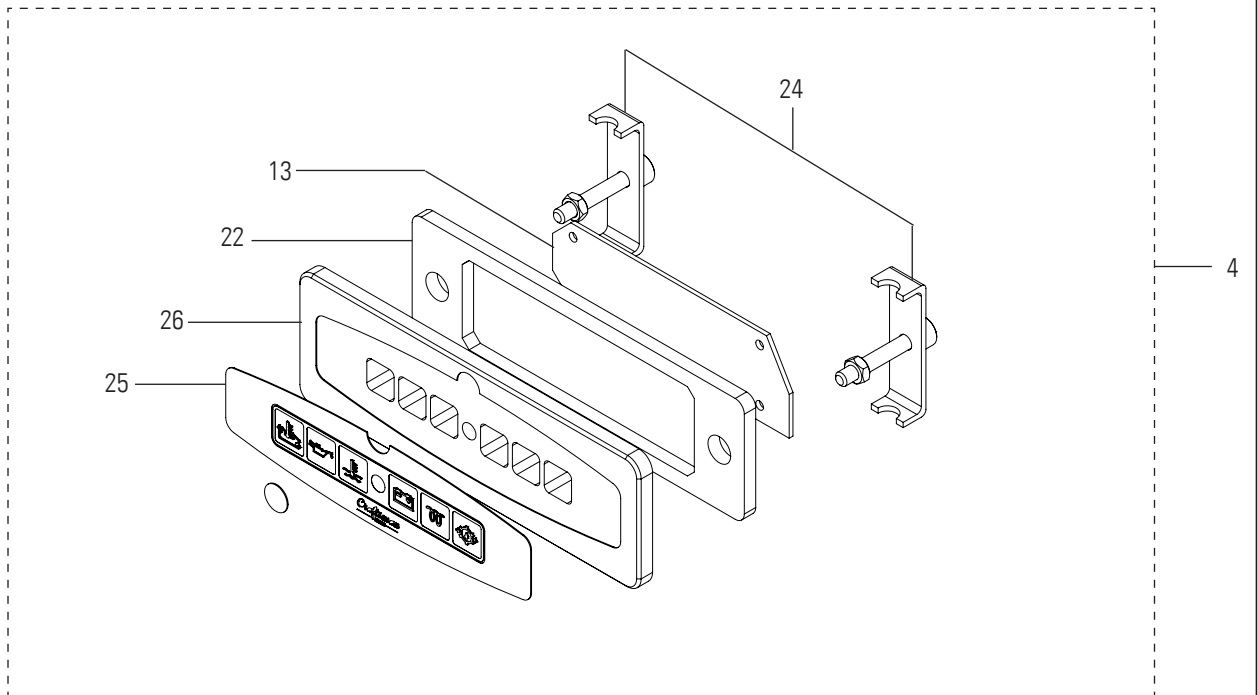
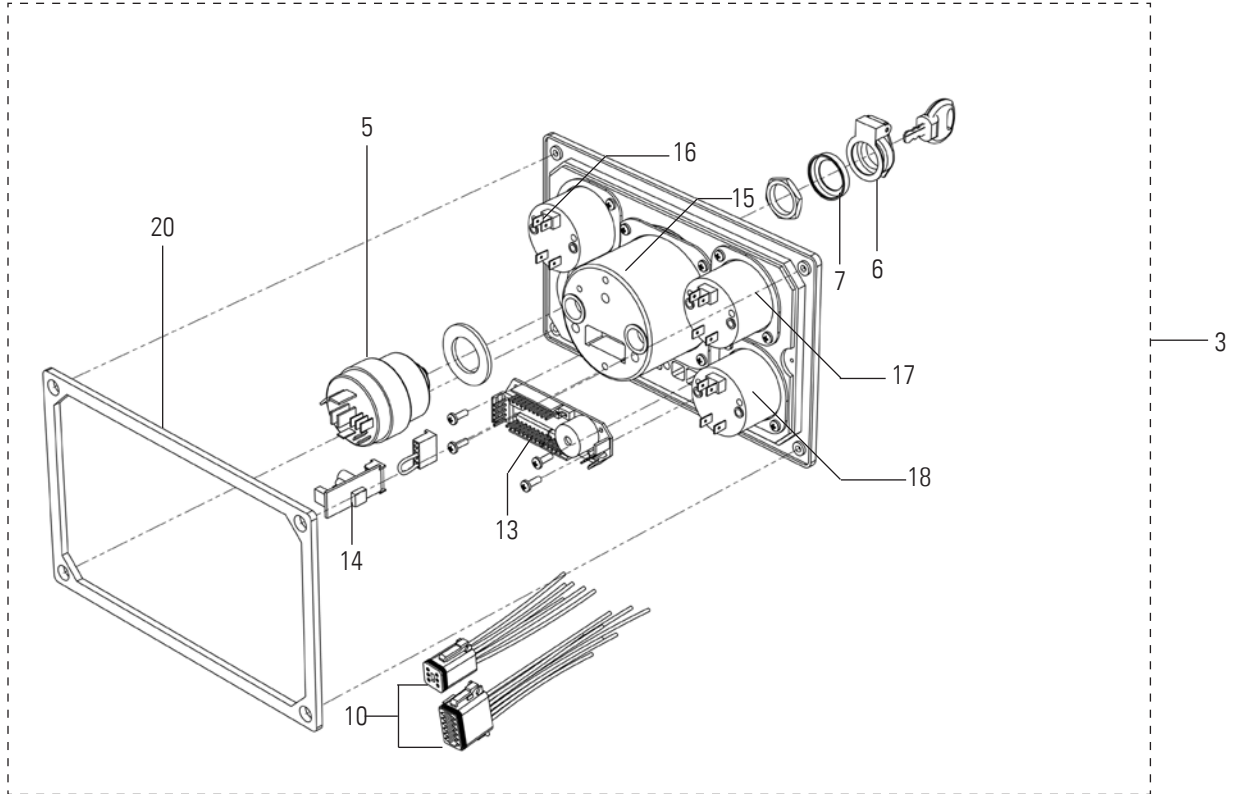


## 3.4 INSTRUMENT PANEL





## 3.5 INSTRUMENT PANEL

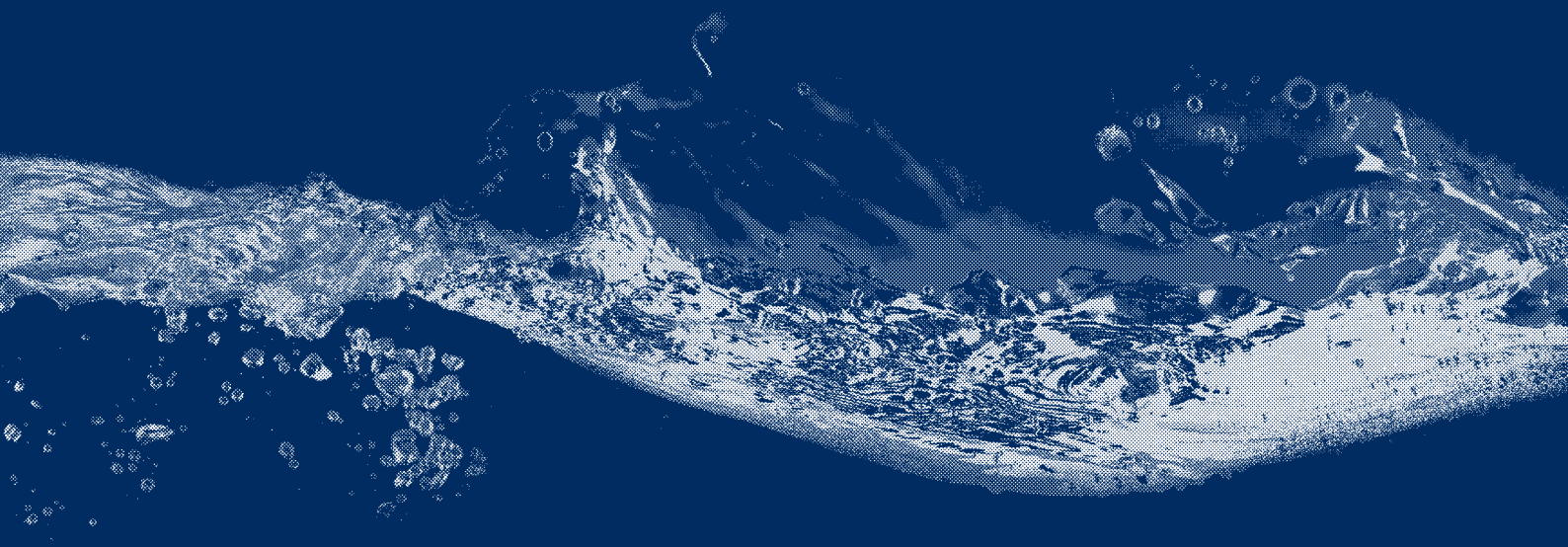




ZD-010-015.2.1.01.11

[info@craftsmanmarine.com](mailto:info@craftsmanmarine.com)  
[www.craftsmanmarine.com](http://www.craftsmanmarine.com)

Printed in the Netherlands



**CRAFTED WITH CRAFTSMAN MARINE**